



Product name

## Universal 2-jaw puller "Economy

For removing bearings, gears, discs, etc.

Art. No. 120-10

Series 120

EAN 4021176918599



	Technical attribute	Metric	Imperial
	Spread	50 - 125 mm	2 - 4 7/8 inch
	Depth	100 mm	3 7/8 inch
	Hexagon drive (male)	17 mm	
max.	Maximum load	3 t	3,30 US t
	Weight	1.16 kg	
	Space below	9 mm	3/8 inch
	Space next to it	32 mm	1 1/4 inch
	Number of jaws	2	2



## Technologies



### **PUSH TO UNLOCK**

Release system for quick fixation and easy release.



### **SWITCH**

A two-sided spindle tip provides optimal adjustment of the spindle to the shaft.



## Spare part

<b>Art. No.</b>	<b>Product name</b>
614135	Mechanical pressure spindle.
0-100-P	2 pulling jaws (pair)
120-10-T	Cross-beam

## Accessories

<b>Art. No.</b>	<b>Product name</b>
K-600-014	Set of interchangeable pressure pads for KUKKO pressure screws

## Part of

<b>Art. No.</b>	<b>Product name</b>
120-ST	Sales display "Economy"



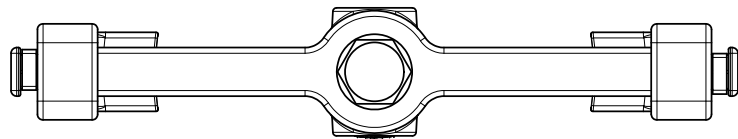
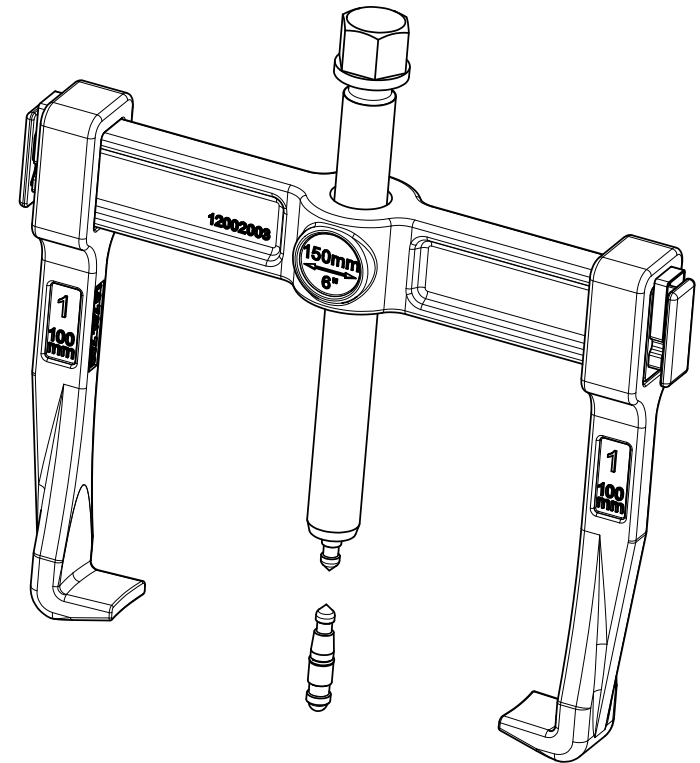
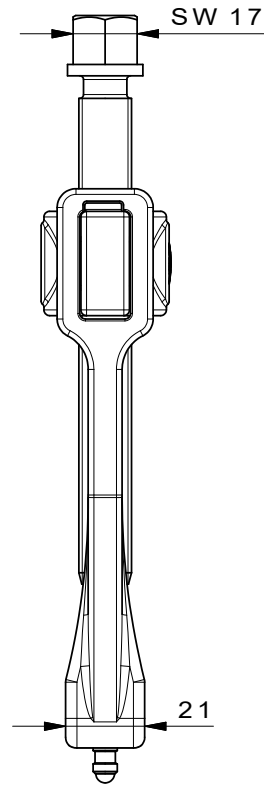
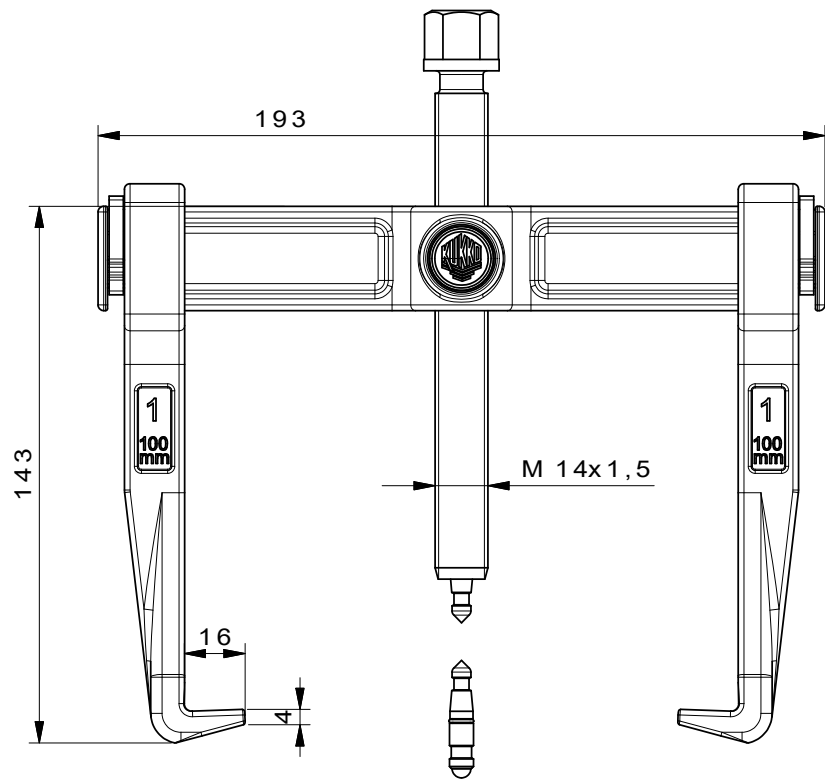
## Spare part of

**Art. No.**

**Product name**

120-ST

Sales display "Economy"



 <b>Kleinbongartz &amp; Kaiser oHG</b> Werkzeugfabrik Hilden - Germany	Dokumentname: 120-10_2-armiger Universalabzieher-Vario	Toleranz: DIN ISO 2768-m
	Dokumentbeschreibung: Baugruppe	Material: Hoch legierter Werkzeugstahl / High alloy tool steel
Erstellt von: Schultes	Erstellungsdatum: 11/04/2016	Maßstab: 1:1
Teilbeschreibung: 2-armiger Universalabzieher-Vario/ Universal 2-jaw puller "Vario"		Wärmebehandlung / Härte: vergüteter Stahl/ tempered steel
Oberflächenbehandlung:		
Artikelnummer / ZNR.: 120-10	Dokumentversion: -	Schutzvermerk ISO 16016 beachten