



Product name \*

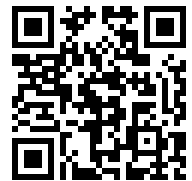
## Universal 2-jaw puller "Economy

For removing bearings, gears, discs, etc.

Art. No. 120-3

Series 120

EAN 4021176918711



	Technical attribute	Metric	Imperial
	Depth	200 mm	7 7/8 inch
	Spread	60 - 250 mm	2 3/8 - 9 7/8 inch
	Hexagon drive (male)	24 mm	
max.	Maximum load	3 t	3,30 US t
	Weight	3.84 kg	
	Space below	15 mm	5/8 inch
	Space next to it	43 mm	1 3/4 inch
	Number of jaws	2	2



## Technologies



### **PUSH TO UNLOCK**

Release system for quick fixation and easy release.



### **SWITCH**

A two-sided spindle tip provides optimal adjustment of the spindle to the shaft.



## Spare part

<b>Art. No.</b>	<b>Product name</b>
623230	Mechanical pressure spindle.
120-3-T	Cross-beam
0-200-P	2 pulling jaws (pair)

## Accessories

<b>Art. No.</b>	<b>Product name</b>
K-600-025	Set of interchangeable pressure pads for KUKKO pressure screws

## Part of

<b>Art. No.</b>	<b>Product name</b>
120-ST	Sales display "Economy"



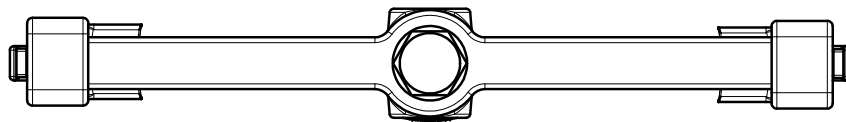
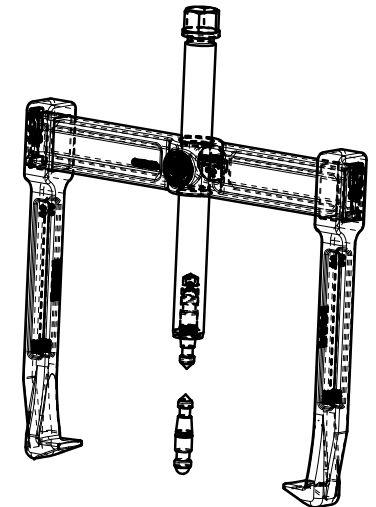
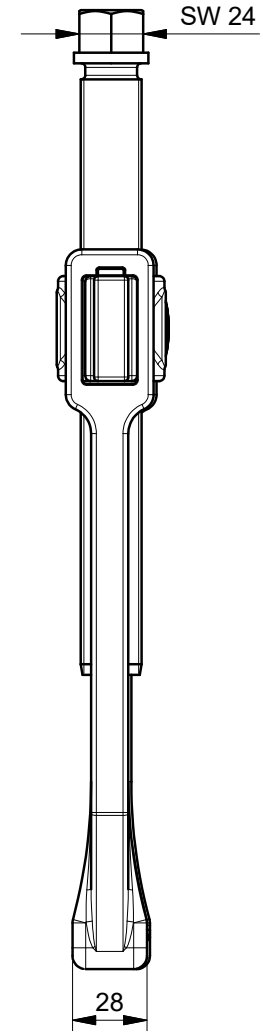
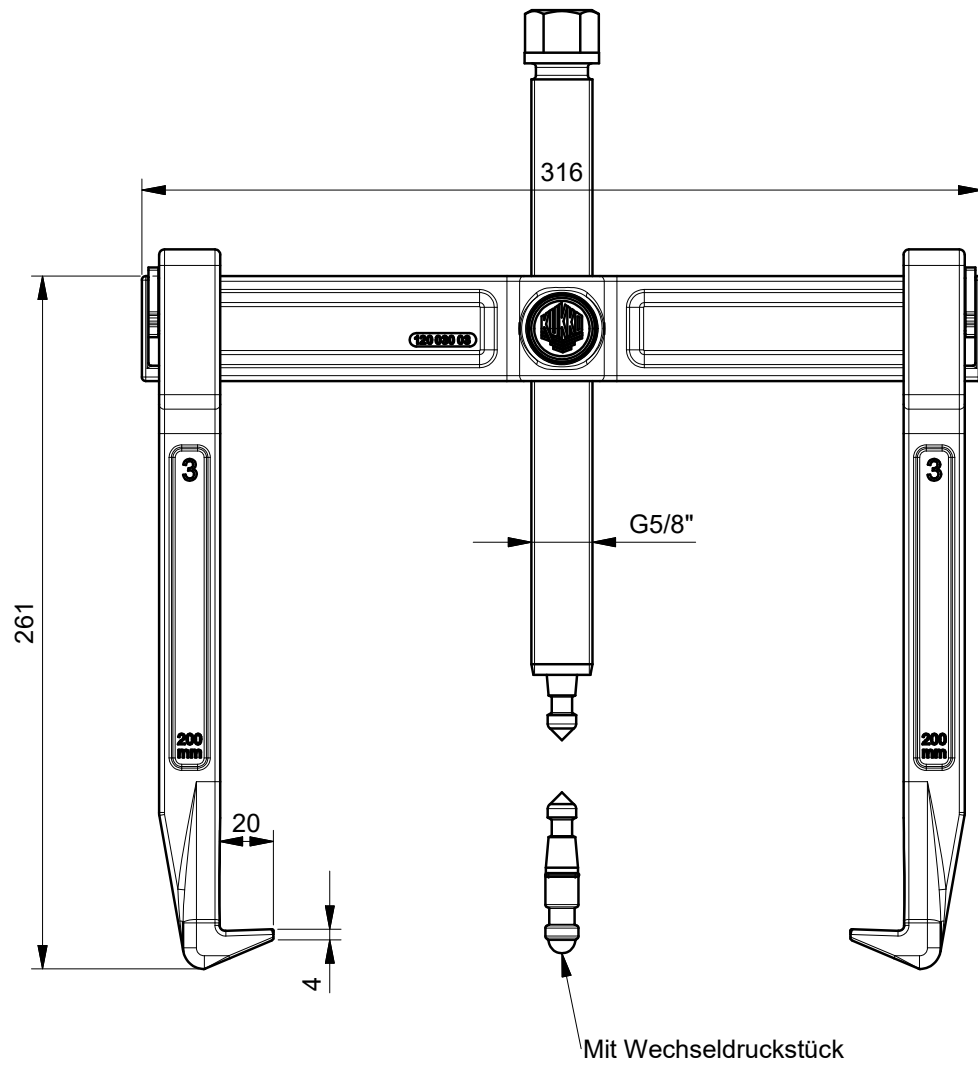
## Spare part of

**Art. No.**

**Product name**

120-ST

Sales display "Economy"



 <b>Kleinbongartz &amp; Kaiser oHG</b> Werkzeugfabrik Hilden - Germany	Dokumentname: 120-3_2-armiger Universalabzieher-Vario		Toleranz: DIN ISO 2768-m
	Dokumentbeschreibung: Baugruppe		Material: Hoch legierter Werkzeugstahl / High alloy tool steel
Erstellt von: Breidenbach	Erstellungsdatum: 13/10/2017	Maßstab: 1:2	
Teilbeschreibung: 2-armiger Universalabzieher-Vario/ Universal 2-jaw puller "Vario"		Wärmebehandlung / Härte: vergüteter Stahl/ tempered steel	
Artikelnummer / ZNR.: 120-10		Dokumentversion: -	Oberflächenbehandlung:  Schutzvermerk ISO 16016 beachten