



Product name

Universal 3-jaw puller "Economy"

For removing bearings, gears, discs, etc.

Art. No. 130-20

Series 130

EAN 4021176918919



	Technical attribute	Metric	Imperial
	Spread	60 - 200 mm	2 3/8 - 7 7/8 inch
	Depth	150 mm	5 7/8 inch
	Hexagon drive (male)	17 mm	
max.	Maximum load	3 t	3,30 US t
	Weight	4.28 kg	
	Space below	15 mm	5/8 inch
	Space next to it	43 mm	1 3/4 inch
	Number of jaws	3	3



Technologies



PUSH TO UNLOCK

Release system for quick fixation and easy release.



SWITCH

A two-sided spindle tip provides optimal adjustment of the spindle to the shaft.

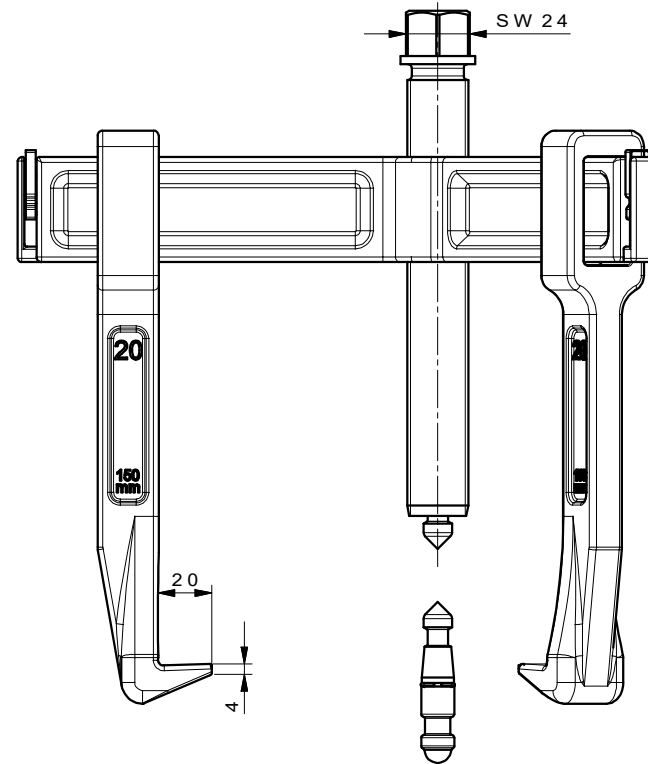
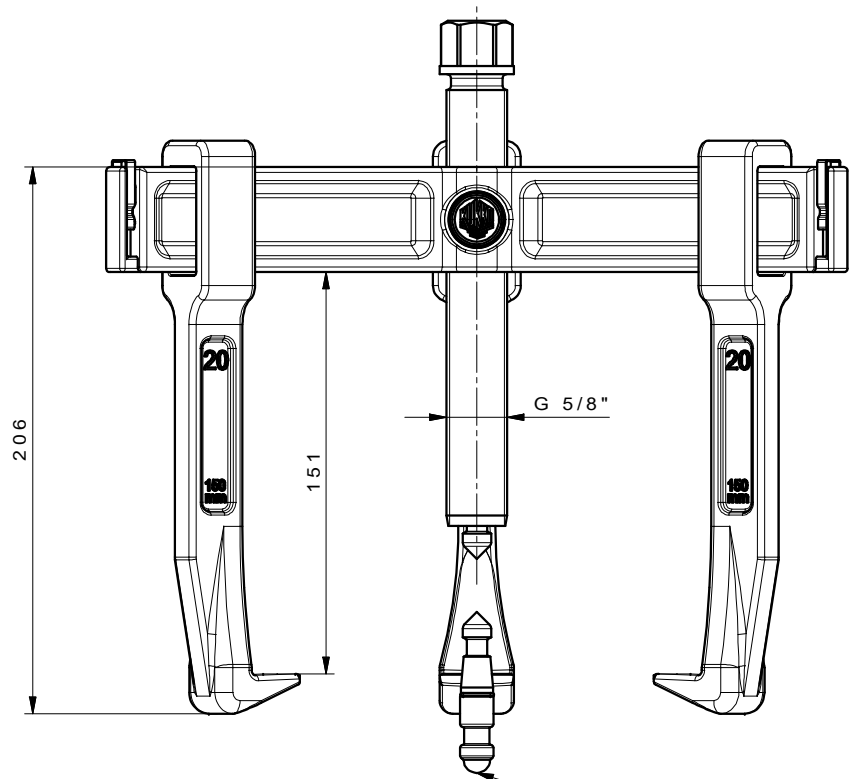


Spare part

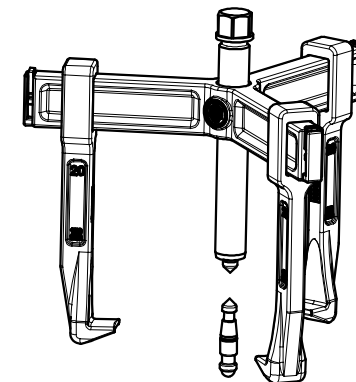
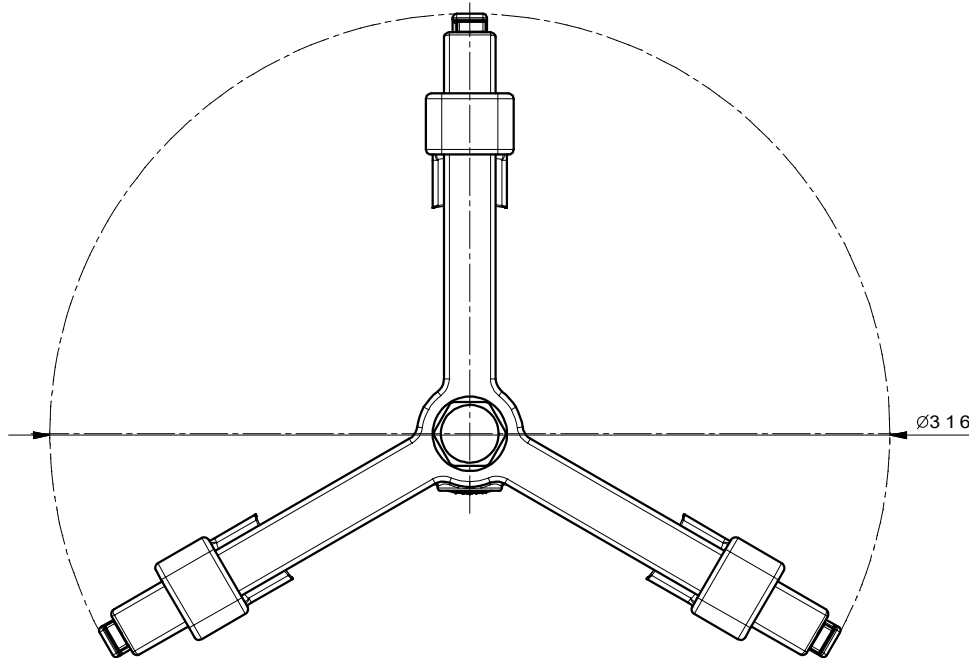
Art. No.	Product name
621170	Mechanical pressure spindle.
130-20-T	Cross-beam
0-150-S	3 pulling arms (set)
623170	Mechanical pressure spindle.

Accessories

Art. No.	Product name
K-600-025	Set of interchangeable pressure pads for KUKKO pressure screws



Mit Wechseldruckstück



 Kleinbongartz & Kaiser oHG Werkzeugfabrik Hilden - Germany	Dokumentname: 130-20_2-armiger Universalabzieher-Vario		Toleranz: DIN ISO 2768-m	
	Dokumentbeschreibung: Baugruppe		Material: -	
Erstellt von: Breidenbach	Erstellungsdatum: 11/04/2016		Maßstab: 1:2	
Teilbeschreibung: 3-armiger Universalabzieher-Vario/ Universal 2-jaw puller "Vario"			Wärmebehandlung / Härte: vergüteter Stahl/ tempered steel	
			Oberflächenbehandlung: -	
Artikelnummer / ZNR.: 130-20		Dokumentversion: -	Schutzvermerk ISO 16016 beachten	