



Product name

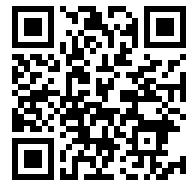
Universal 3-jaw puller "Economy"

For removing bearings, gears, discs, etc.

Art. No. 130-2

Series 130

EAN 4021176918872



	Technical attribute	Metric	Imperial
	Spread	50 - 150 mm	2 - 5 7/8 inch
	Depth	150 mm	5 7/8 inch
	Hexagon drive (male)	17 mm	
max.	Maximum load	3,5 t	3,85 US t
	Weight	1.75 kg	
	Space below	9 mm	3/8 inch
	Space next to it	32 mm	1 1/4 inch
	Number of jaws	3	3

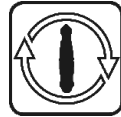


Technologies



PUSH TO UNLOCK

Release system for quick fixation and easy release.



SWITCH

A two-sided spindle tip provides optimal adjustment of the spindle to the shaft.

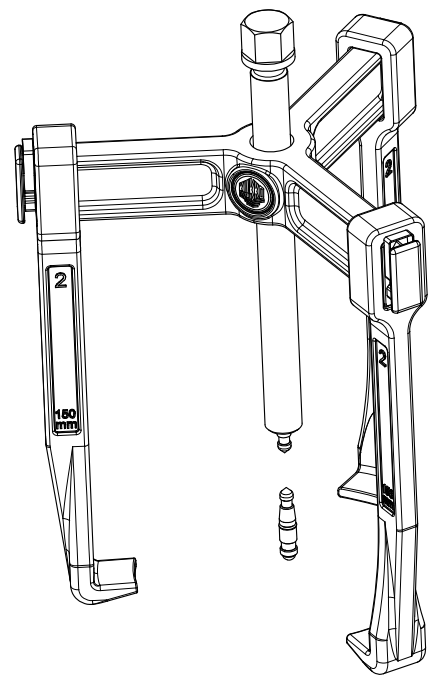
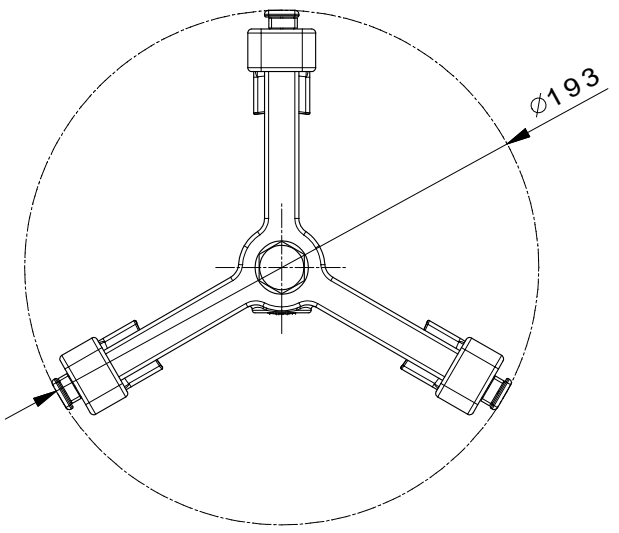
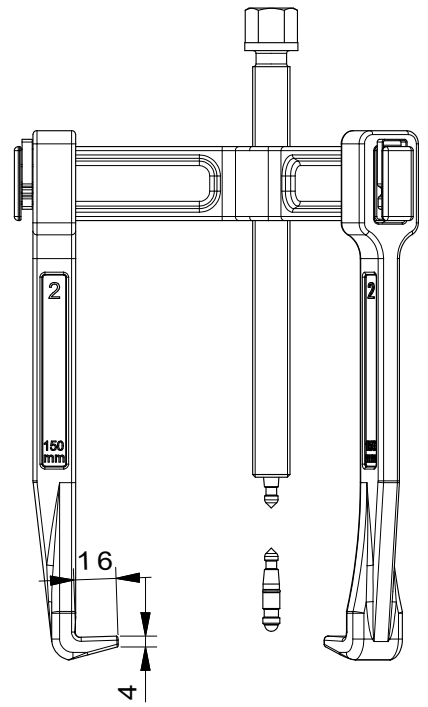
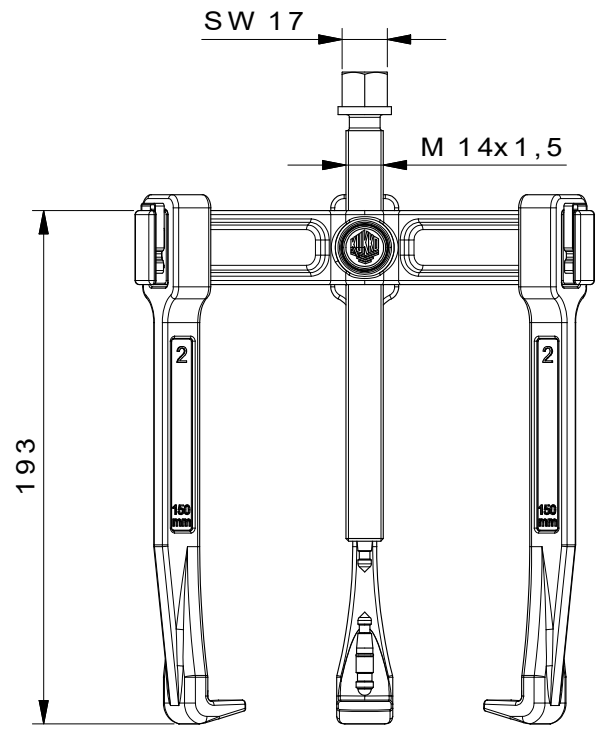


Spare part

Art. No.	Product name
614160	Mechanical pressure spindle.
130-2-T	Cross-beam
0-148-S	3 pulling arms (set)

Accessories

Art. No.	Product name
K-600-014	Set of interchangeable pressure pads for KUKKO pressure screws



	Kleinbongartz & Kaiser oHG Werkzeugfabrik Hilden - Germany	Dokumentname: 130-2_3-armiger Universalabzieher-Vario	Teilname: DIN ISO 2768-m
	Dokumentbeschreibung: Baugruppe	Erstellt von: Breidenbach	Änderungsdatum: 11/04/2016
Teilbeschreibung: 3-armiger Universalabzieher-Vario/ Universal 3-jaw puller "Vario"	Wärmebehandlung / Heat: vergüteter Stahl/ tempered steel	Maßstab: 1:1	Oberflächenbehandlung: -
Artikelnummer / ZNR: 130-2	Dokumentversion: -	Schlüsselvermerk: ISO 16046 beachten	