



Product name

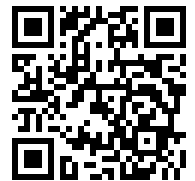
Universal 3-jaw puller "Economy"








For removing bearings, gears, discs, etc.

Art. No. 130-3

Series 130

EAN 4021176918957



	Technical attribute	Metric	Imperial
	Spread	60 - 250 mm	2 3/8 - 9 7/8 inch
	Depth	200 mm	7 7/8 inch
	Hexagon drive (male)	24 mm	
max.	Maximum load	7 t	7,71 US t
	Weight	5.365 kg	
	Space below	15 mm	5/8 inch
	Space next to it	43 mm	1 3/4 inch
	Number of jaws	3	3



Technologies



PUSH TO UNLOCK

Release system for quick fixation and easy release.



SWITCH

A two-sided spindle tip provides optimal adjustment of the spindle to the shaft.

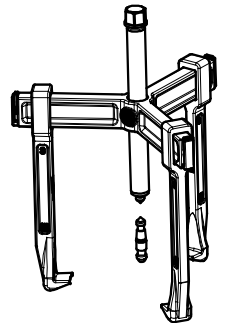
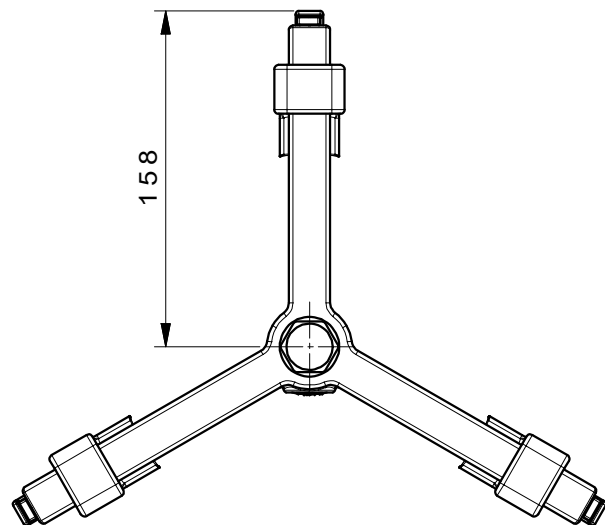
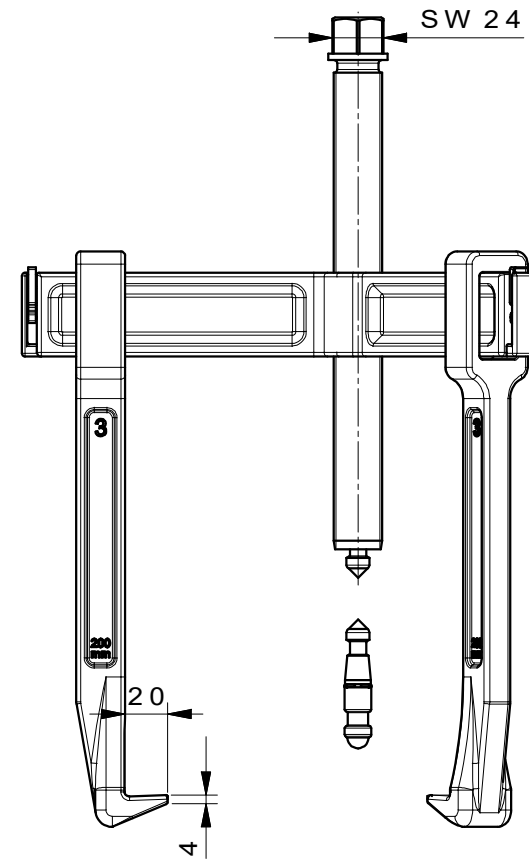
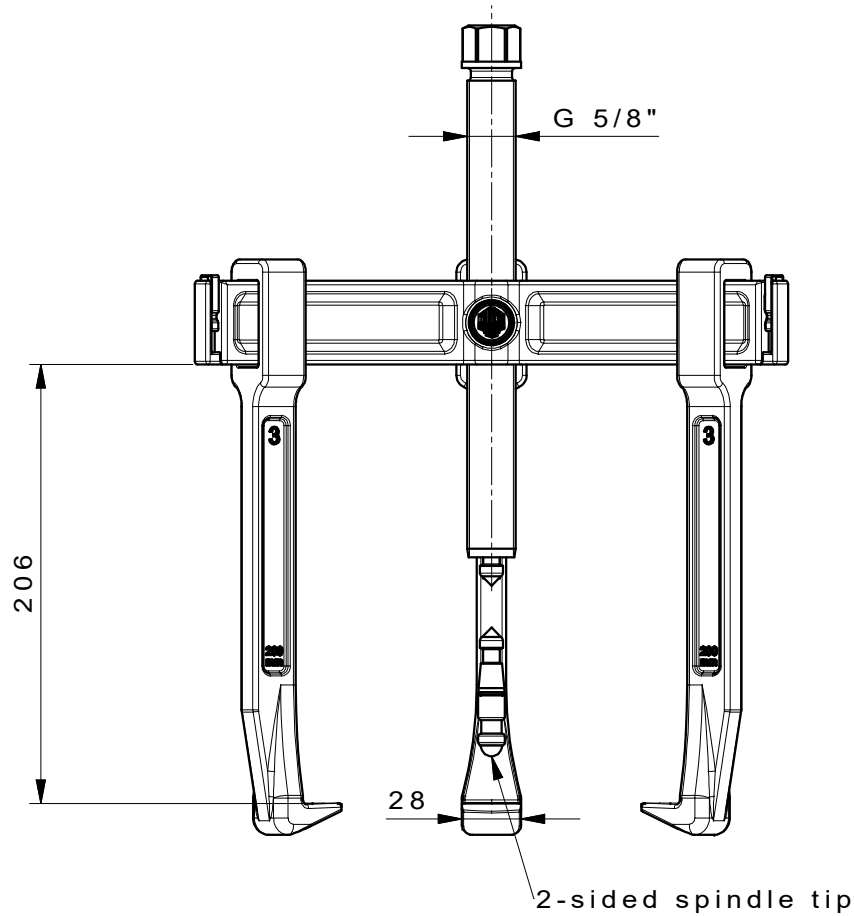


Spare part

Art. No.	Product name
623230	Mechanical pressure spindle.
130-3-T	Cross-beam
0-200-S	3 pulling arms (set)

Accessories

Art. No.	Product name
K-600-025	Set of interchangeable pressure pads for KUKKO pressure screws



 Kleinbongartz & Kaiser oHG Werkzeugfabrik Hilden - Germany	Dokumentname: 130-3_3-armiger Universalabzieher-Vario		Toleranz: DIN ISO 2768-m	
	Dokumentbeschreibung: Baugruppe		Material: Hoch legierter Werkzeugstahl / High alloy tool steel	
Erstellt von: Breidenbach	Erstellungsdatum: 22/01/2019	Maßstab: 1:3		
Teilbeschreibung: 3-armiger Universalabzieher-Vario/ Universal 3-jaw puller "Vario"			Wärmebehandlung / Härte: vergüteter Stahl/ tempered steel	
			Oberflächenbehandlung: -	
Artikelnummer / ZNR.: 130-3	Dokumentversion: -		Schutzvermerk ISO 16016 beachten	