



Product name *

Separators

For removing ball bearings, roller bearings, inner races and other tight parts if there is not enough space to use pulling hooks.

Art. No. 15-0

Series 15

EAN 4021176006951



	Technical attribute	Metric	Imperial
	Diameter of the shaft	8 - 60 mm	3/8 - 2 3/8 inch
	Distance of side screw	60 mm	2 3/8 inch
	Weight	0.695 kg	
	Space below	0 mm	0 inch
	Space next to it	60 mm	2 3/8 inch
	Spread	8 - 60 mm	3/8 - 2 3/8 inch
	Depth	150 mm	5 7/8 inch



has to be accomplished with



Pulling device

18-0



Spare part

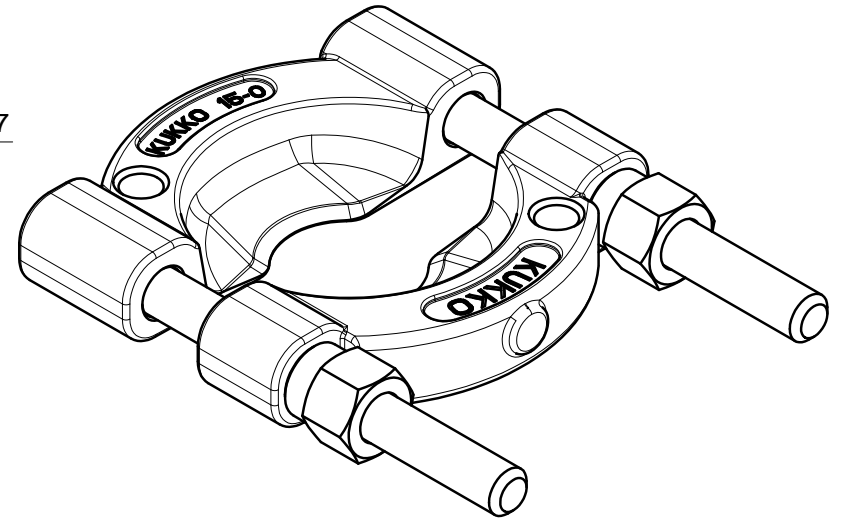
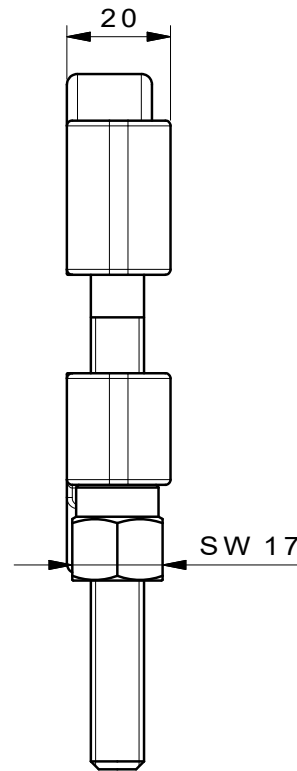
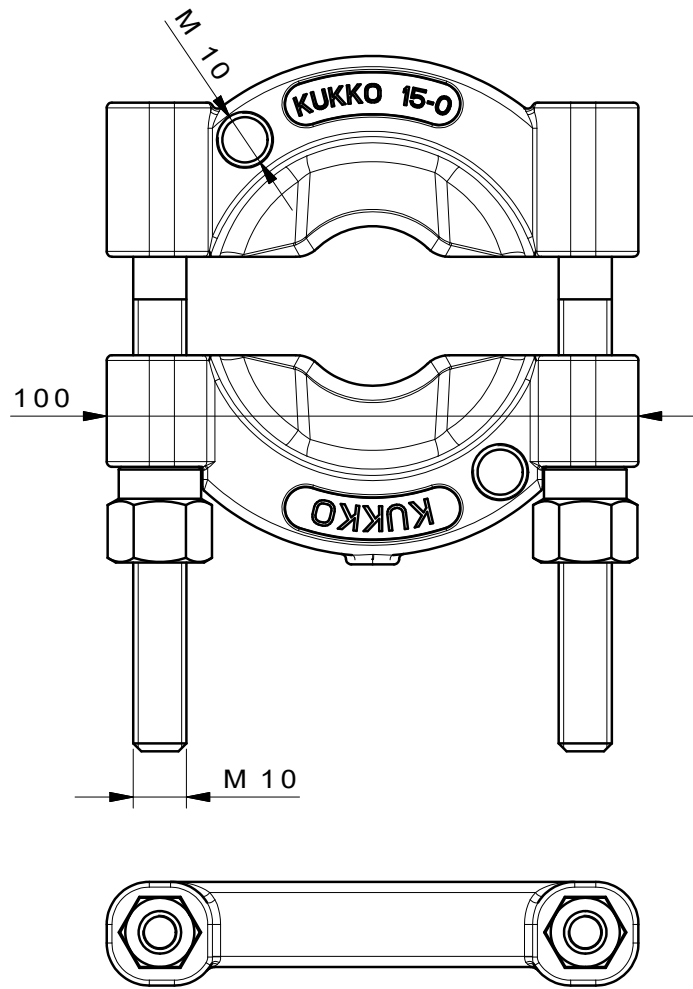
Art. No.	Product name
015122	Side bolt with nut

Part of

Art. No.	Product name
15-K	Separating-set
WT-1-INDUSTRIE	Puller product range - industrial
WT-100+C	Puller product range - exterior pulling - BASIC+

Spare part of

Art. No.	Product name
15-K	Separating-set



 Kleinbongartz & Kaiser oHG Werkzeugfabrik Hilden - Germany	Dokumentname: 15-0_Trennvorrichtung		Toleranz: DIN ISO 2768-m	
	Dokumentbeschreibung: Baugruppe		Material: Hoch legierter Werkzeugstahl / High alloy tool steel	
	Erstellt von: Schultes	Erstellungsdatum: 11/04/2016	Maßstab: 1:1	
Teilbeschreibung: Trennvorrichtung /Separators			Wärmebehandlung / Härte: vergüteter Stahl/ tempered steel	
			Oberflächenbehandlung:	
Artikelnummer / ZNR.: 15-0		Dokumentversion: -	Schutzvermerk ISO 16016 beachten	