



Product name

Separators

For removing ball bearings, roller bearings, inner races and other tight parts if there is not enough space to use pulling hooks.

Art. No. 15-1

Series 15

EAN 4021176007033



	Technical attribute	Metric	Imperial
	Diameter of the shaft	12 - 75 mm	3/16 - 3 inch
	Distance of side screw	75 mm	3 inch
	Weight	1.105 kg	
	Space below	0 mm	0 inch
	Space next to it	75 mm	3 inch
	Spread	12 - 75 mm	1/2 - 3 inch
	Depth	200 mm	7 7/8 inch



has to be accomplished with



Pulling device

18-1



Spare part

Art. No.	Product name
015145	Side bolt with nut

Part of

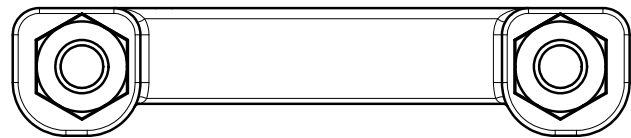
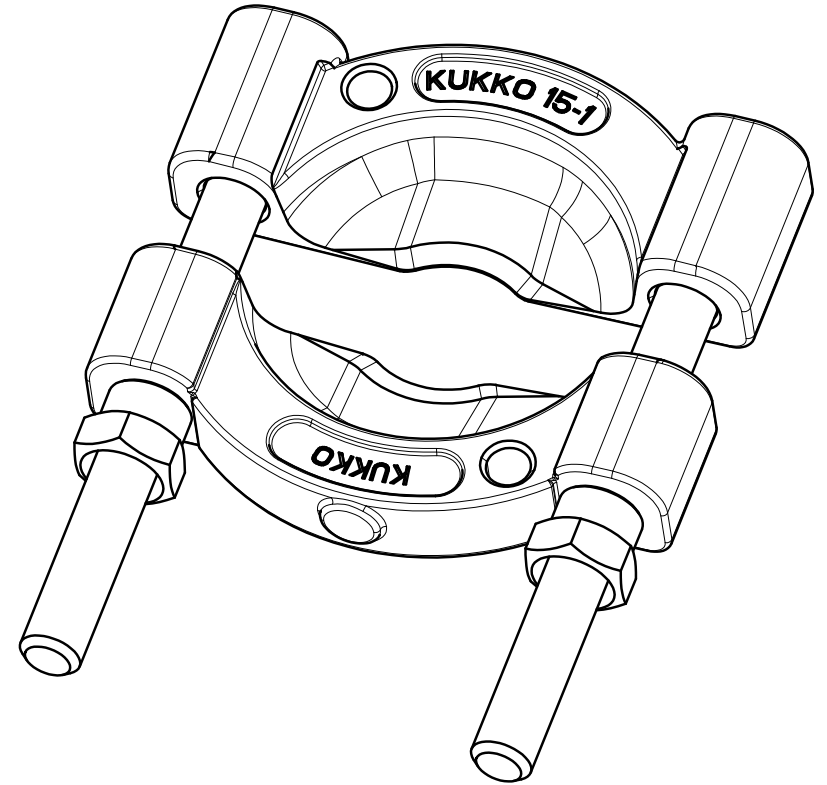
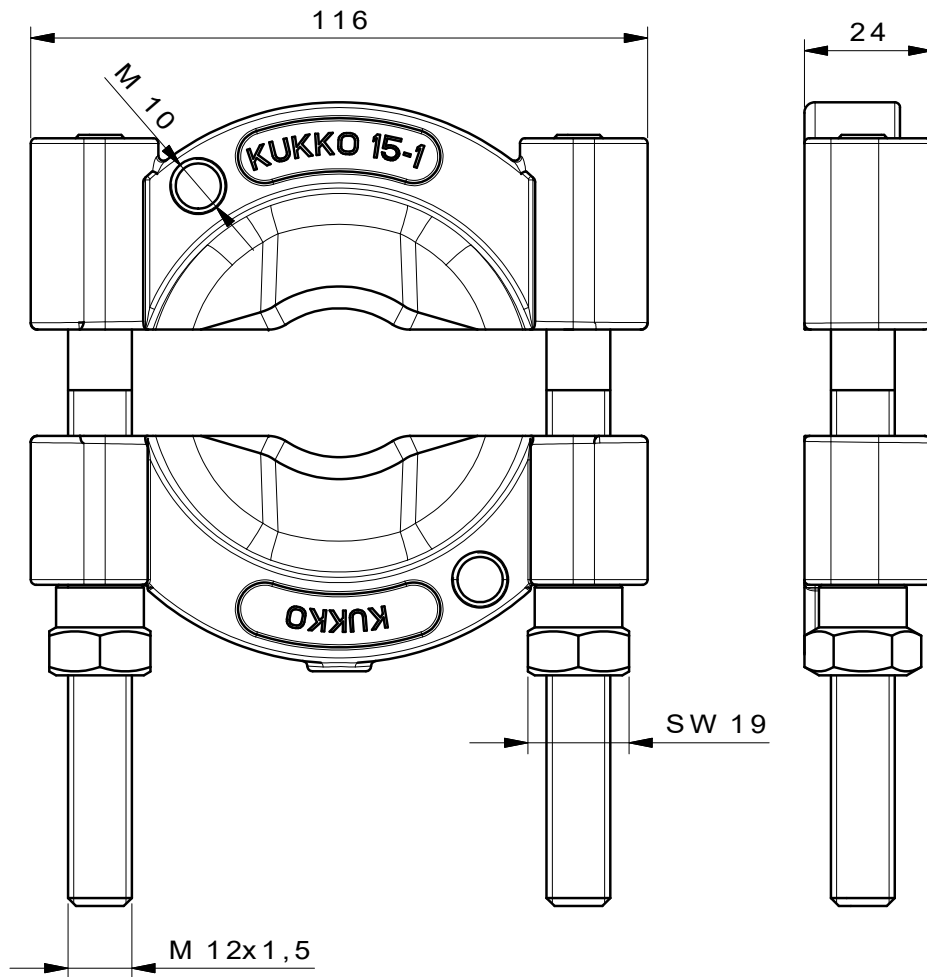
Art. No.	Product name
15-A	Separating-set

Spare part of

Art. No.	Product name
15-A	Separating-set

Also included in

Art. No.	Product name
WT-014	Puller product range - automotive - chassis suspension



 Kleinbongartz & Kaiser oHG Werkzeugfabrik Hilden - Germany	Dokumentname: 15-1_Trennvorrichtung		Toleranz: DIN ISO 2768-m
	Dokumentbeschreibung: Baugruppe		Material: Hoch legierter Werkzeugstahl / High alloy tool steel
	Erstellt von: Schultes	Erstellungsdatum: 08/04/2016	Maßstab: 1:1
Teilbeschreibung: Trennvorrichtung /Separators			Wärmebehandlung / Härte: vergüteter Stahl/ tempered steel
			Oberflächenbehandlung:
Artikelnummer / ZNR.: 15-1	Dokumentversion: -	Schutzvermerk ISO 16016 beachten	