



Product name

Counterstay

Art. No. 16-22

Series

EAN 4021176833885



	Technical attribute	Metric	Imperial
	Distance of side screw	85 - 250 mm	3 3/8 - 9 7/8 inch
	Depth of side screw	125 - 250 mm	4 7/8 - 9 7/8 inch
max.	Maximum load	7 t	7.5 US t
	Weight	4.325 kg	



has to be accomplished with



Internal extractors

16-21



Spare part

Art. No.	Product name
22-4-T	Cross-beam
022401	Jaws, individual
16-22-6	Spindle

Goes with

Art. No.	Product name
16-21	Internal extractors

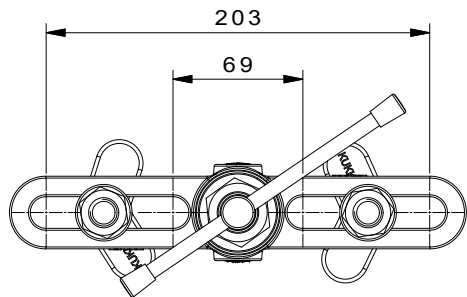
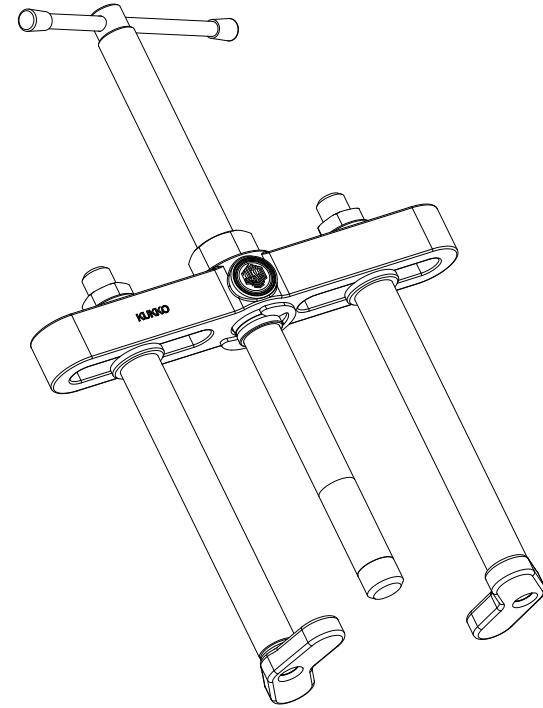
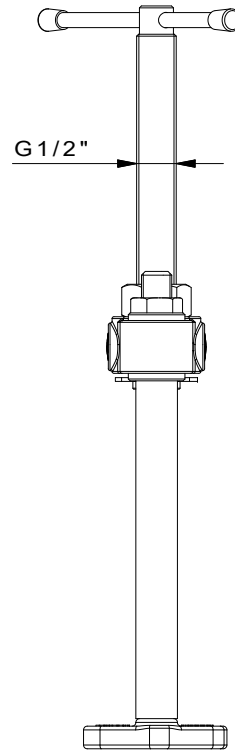
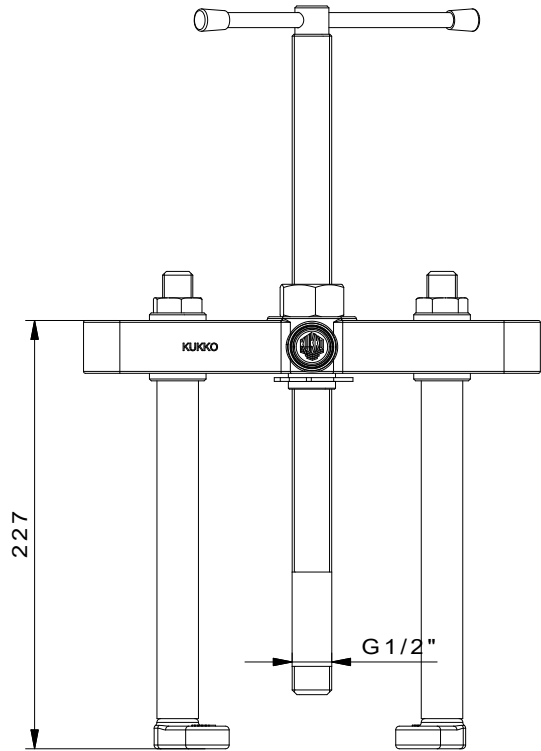
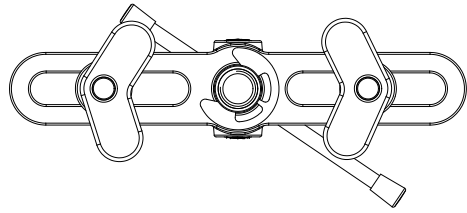
Part of

Art. No.	Product name
16	Cylinder liner puller
K-16	Cylinder liner puller set



Spare part of

Art. No.	Product name
16	Cylinder liner puller
K-16	Cylinder liner puller set



	Zeichnung TE-22 Gegenstaple	Titel DIN ISO 2768-m
	Zeichnungsart Baugruppe	Name Kleinbongartz & Kaiser Werkzeugfabrik Heiden - Germany Heidenbach
Selbstzeichnung Gegenstaple /Counterstay	Datum 21/09/2015	Maßstab 1:1
Zeichnungsnummer 16-22	Zeichnungsstatus -	Änderungsbeleg -