



Product name

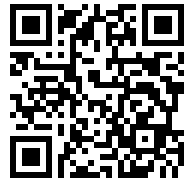
Hydraulic pulling device(including mechanical pressure screw)

For use with series 17, series 15, series 18-AS and series 18-A.

Art. No. 18-4-B

Series 18-B

EAN 4021176885747



	Technical attribute	Metric	Imperial
	Distance of side screw	120 - 380 mm	4 3/4 - 15 inch
	Depth of side screw	134 - 350 mm	5 1/4 - 13 3/4 inch
	Thread	G 5/8"	G 5/8"
	Hexagon drive (male)	36 mm	
max.	Maximum load	15 t	16.5 US t
	Weight	21.11 kg	



Technologies



HYDRAULIC

Pullers with hydraulic function.



Spare part

Art. No.	Product name
8-1-B	Long hydraulic spindle
18-4-T	Cross-beam
018450	Side bolt with nut

Accessories

Art. No.	Product name
633400	Mechanical pressure spindle.
19-4-P	2 extensions for pulling devices (pair)

Goes with

Art. No.	Product name
15-4	Separators



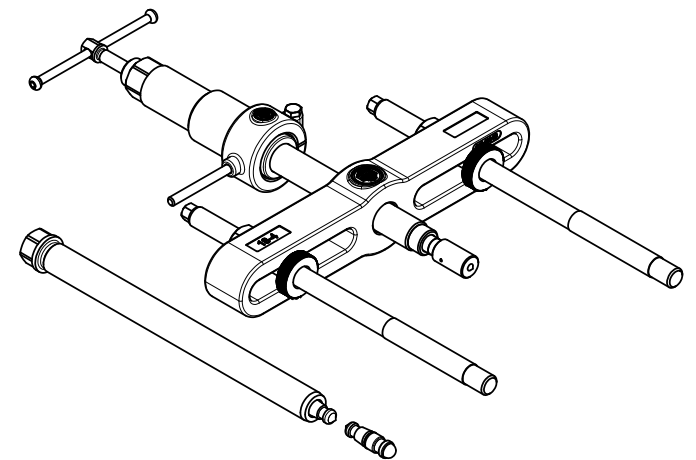
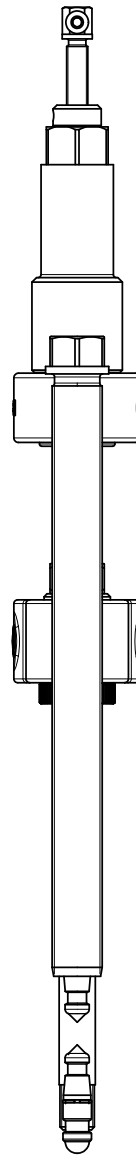
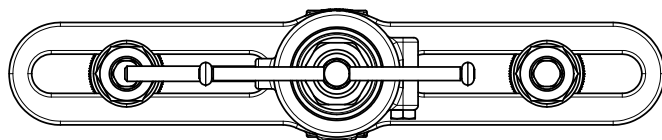
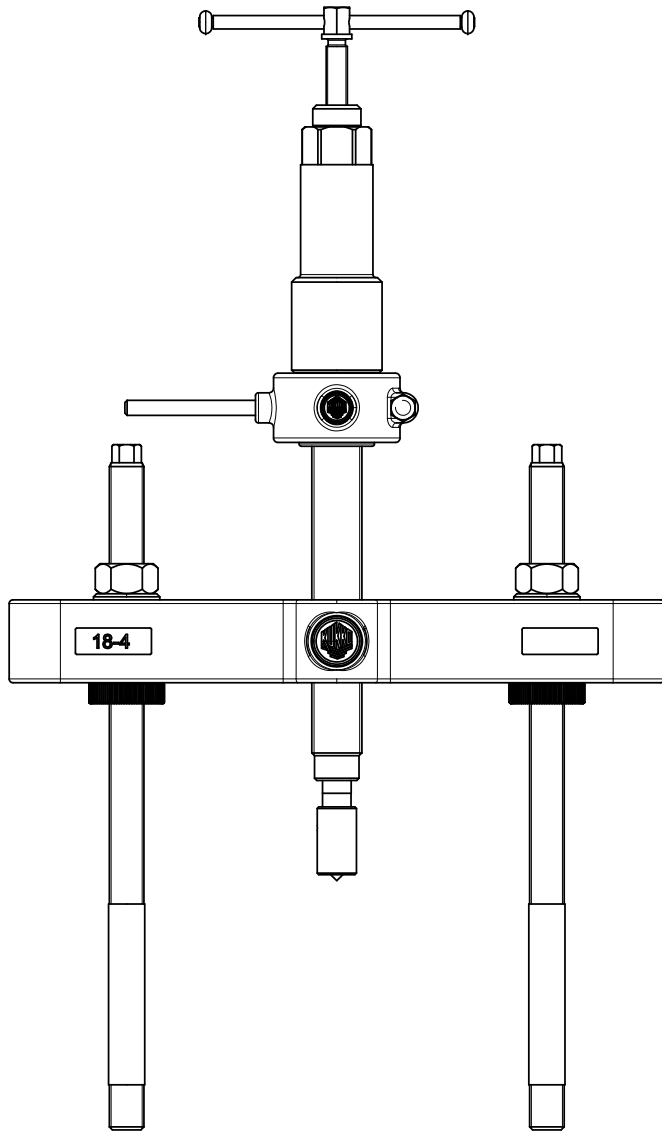
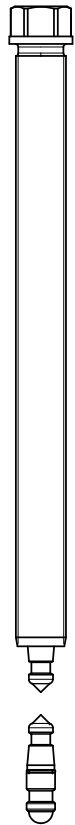
Part of


Art. No.

Product name

WT-031

Puller product range - commercial vehicles - axle



 Kleinbongartz & Kaiser oHG Werkzeugfabrik Hilden - Germany	Dokumentname: 18-4-B_Hydraulische Abziehvorrichtung	Toleranz: DIN ISO 2768-m
	Dokumentbeschreibung: BAUGRUPPENZEICHNUNG	Material:
Erstellt von: Breidenbach	Erstellungsdatum: 18/04/2017	Maßstab: 1:2.5
Teilbeschreibung: Hydraulische Abziehvorrichtung (inklusive mechanischer Spindel)		Wärmebehandlung / Härte:
		Oberflächenbehandlung:
Artikelnummer / ZNR.: 18-4-B	Dokumentversion: -	Schutzvermerk ISO 16016 beachten