



Product name

Hydraulic pulling device(including mechanical pressure screw)

For use with series 17, series 15, series 18-AS and series 18-A.

Art. No. 18-5-B

Series 18-B

EAN 4021176885754



	Technical attribute	Metric	Imperial
	Distance of side screw	150 - 440 mm	5 7/8 - 17 3/8 inch
	Depth of side screw	225 - 400 mm	8 7/8 - 15 3/4 inch
	Thread	G 3/4"	G 3/4"
	Hexagon drive (male)	41 mm	
max.	Maximum load	20 t	22 US t
	Weight	37 kg	



Technologies



HYDRAULIC

Pullers with hydraulic function.



Spare part

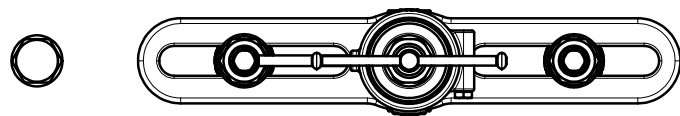
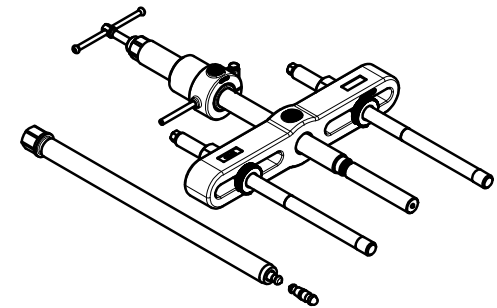
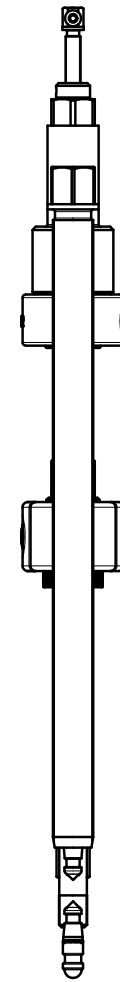
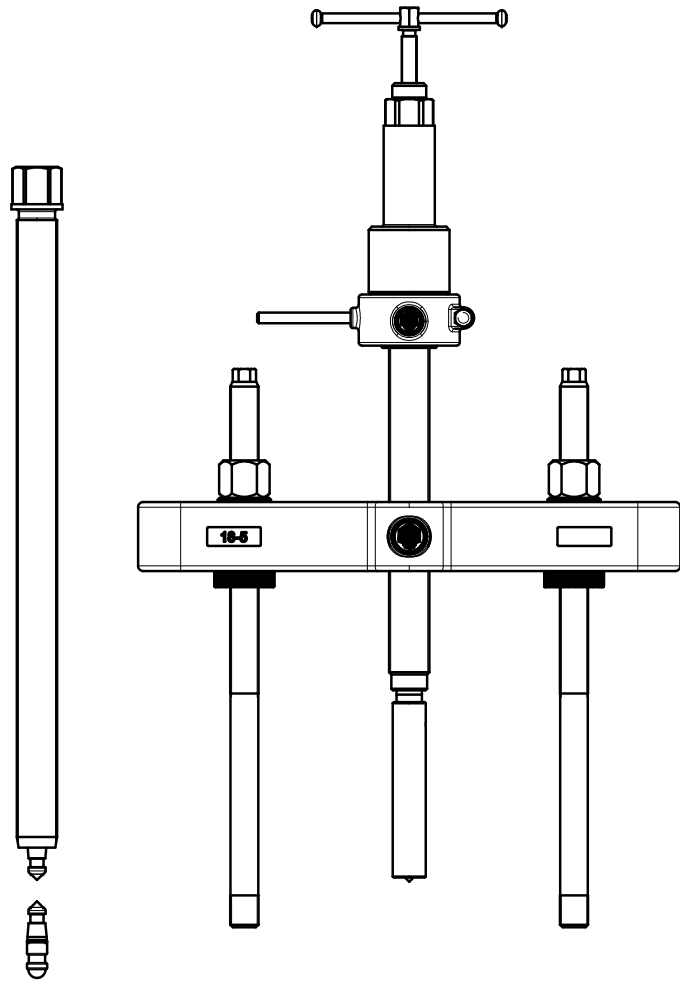
Art. No.	Product name
8-2-M	Long hydraulic spindle
18-5-20	Complete insert bushing suitable for 18-5
18-5-T	Cross-beam
018530	Side bolt with nut


Accessories

Art. No.	Product name
637500	Mechanical pressure spindle.
19-5-P	2 extensions for pulling devices (pair)

Goes with

Art. No.	Product name
15-5	Separators



 Kleinbongartz & Kaiser oHG Werkzeugfabrik Hilden - Germany	Dokumentname: 18-5-B_Hydraulische Abziehvorrichtung		Toleranz: DIN ISO 2768-m		
	Dokumentbeschreibung: BAUGRUPPENZEICHNUNG			Material:	
	Erstellt von: Breidenbach	Erstellungsdatum: 19/04/2017	Maßstab: 1:5		
Teilbeschreibung: Hydraulische Abziehvorrichtung (inklusive mechanischer Spindel)			Wärmebehandlung / Härte:		
			Oberflächenbehandlung:		
Artikelnummer / ZNR.: 18-5-B		Dokumentversion: -	Schutzvermerk ISO 16016 beachten		