



Product name

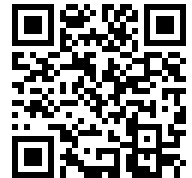
Universal 2-jaw puller with narrow jaws

For removing bearings, gears, discs, etc. for tight or difficult-to-access spaces.

Art. No. 20-1-S

Series 20-S

EAN 4021176757396



	Technical attribute	Metric	Imperial
	Spread	30 - 90 mm	1 3/16 - 3 1/2 inch
	Depth	100 mm	3 7/8 inch
	Spread used internal	70 - 140 mm	2 3/4 - 5 1/2 inch
	Hexagon drive (male)	17 mm	
	Maximum load	2,5 t	2.5 US t
	Maximum torque	35 Nm	25.5 ft lb
	Weight	1.245 kg	
	Space below	2,6 mm	1/8 inch
	Space next to it	14 mm	5/8 inch
	Number of jaws	2	2



Technologies



GLIDE & FIX

The improved geometry guarantees quick and easy movement of the jaws on the cross-beam.



ARMLOCK

The cross-legged jaws guarantee maximum stability for suspending the jaws in the slider.



SWITCH

A two-sided spindle tip provides optimal adjustment of the spindle to the shaft.



Spare part

Art. No.	Product name
614160	Mechanical pressure spindle.
1-91-P	2 narrow jaws (pair)
20-1-T	2-jaw cross bar

Accessories

Art. No.	Product name
219-1	Clamp for 2-jaw pullers
1-191-P	2 narrow jaws (pair)
1-251-P	2 narrow jaws (pair)
1-401-P	2 narrow jaws (pair)
1-V-100-P	2 jaw extensions (pair)
1-V-150-P	2 jaw extensions (pair)
30-1-T	3-jaw cross bar
K-600-014	Set of interchangeable pressure pads for KUKKO pressure screws



Can be used alternatively with

Art. No.	Product name
1-90-P	2 pulling jaws (pair)
1-190-P	2 extended jaws (pair)
1-250-P	2 extended jaws (pair)
1-92-P	2 quick adjusting jaws (pair)
1-192-P	2 quick adjusting jaws (pair)
1-252-P	2 quick adjusting jaws (pair)
1-93-P	2 narrow, quick adjusting jaws (pair)
1-193-P	2 narrow, quick adjusting jaws (pair)
1-253-P	2 narrow, quick adjusting jaws (pair)
1-94-P	2 extremely narrow jaws (pair)
1-194-P	2 extremely narrow jaws (pair)
1-254-P	2 extremely narrow jaws (pair)
1-95-P	2 extremely narrow, quick adjusting jaws (pair)
1-195-P	2 extremely narrow, quick adjusting jaws (pair)
1-255-P	2 extremely narrow, quick adjusting jaws (pair)
1-400-P	2 pulling jaws (pair)



Part of

Art. No.

Product name

20-ST-S

Sales display for 2-jaw puller with narrow jaws

Spare part of

Art. No.

Product name

20-ST-S

Sales display for 2-jaw puller with narrow jaws

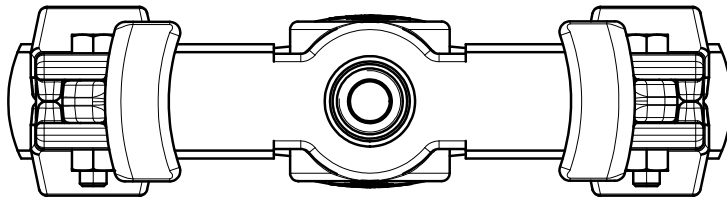
Also included in

Art. No.

Product name

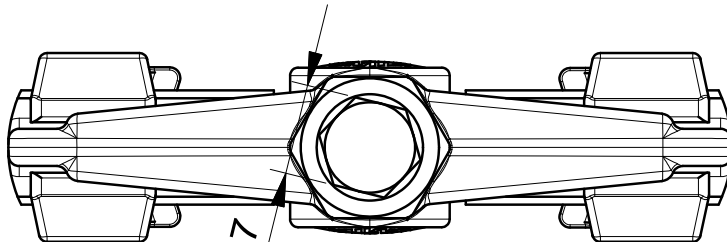
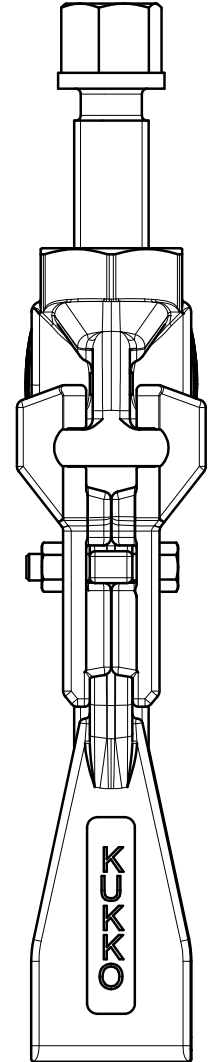
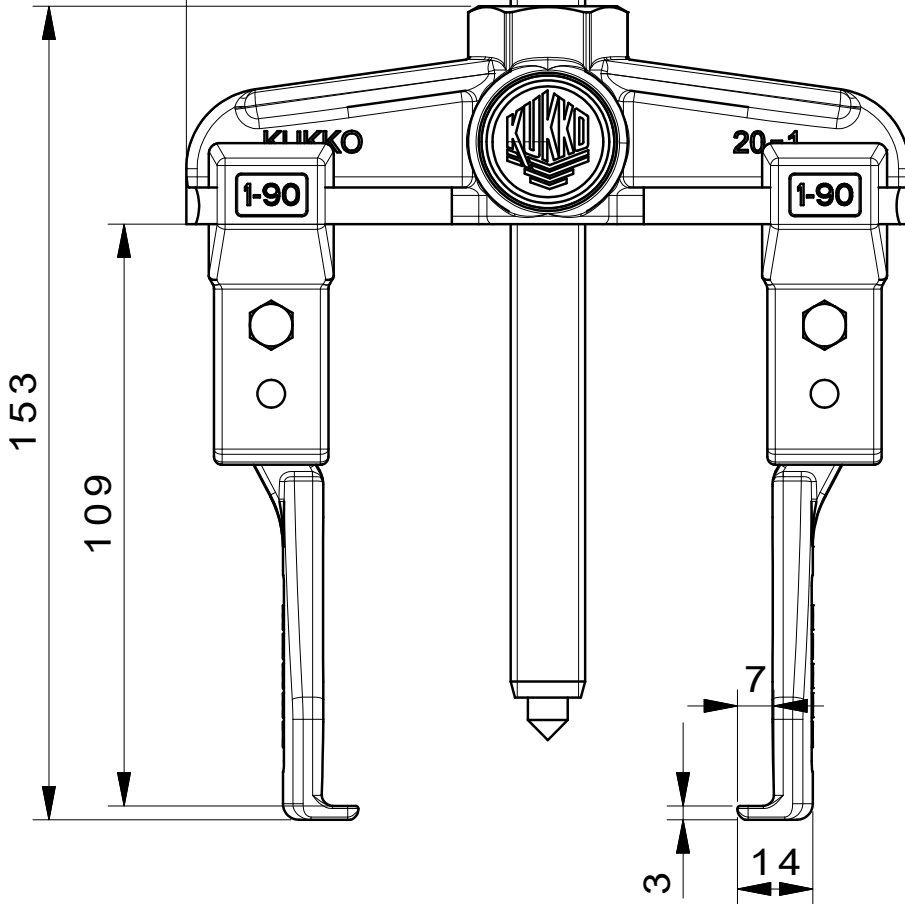
WT-004

Puller product range - automotive - BASIC



136

M 14x1,5



SW 17

 <p>Kleinbongartz & Kaiser oHG Werkzeugfabrik Hilden - Germany</p>	<p>Dokumentname: 20-1-S_2-Arm-Universal_Abzieher</p>	<p>Toleranz: DIN ISO 2768-m</p>
	<p>Dokumentbeschreibung: Baugruppe</p>	<p>Material: Hoch legierter Werkzeugstahl / High alloy tool steel</p>
<p>Erstellt / Geprüft von: Breidenbach</p>	<p>Erstellungsdatum: 29/08/2017</p>	<p>Maßstab: 1:1</p>
<p>Teilbeschreibung: 2-Arm-Universal_Abzieher mit schmalen Abzugshaken/ Universal 2-jaw puller with narrow jaws</p>		<p>Wärmebehandlung / Härte: vergüteter Stahl/ tempered steel</p>
<p>Artikelnummer / ZNR.: 20-1-S</p>	<p>Dokumentversion: -</p>	<p>Schutzvermerk ISO 16016 beachten</p>