



Product name

Universal 2-jaw puller with narrow jaws

For removing bearings, gears, discs, etc. for tight or difficult-to-access spaces.

Art. No. 20-10-S

Series 20-S

EAN 4021176757471



	Technical attribute	Metric	Imperial
	Spread	30 - 120 mm	1 3/16 - 4 3/4 inch
	Depth	100 mm	3 7/8 inch
	Spread used internal	70 - 180 mm	2 3/4 - 7 1/8 inch
	Hexagon drive (male)	17 mm	
	Maximum load	2,5 t	2.5 US t
	Maximum torque	35 Nm	25.5 ft lb
	Weight	1.365 kg	
	Space below	2,6 mm	1/8 inch
	Space next to it	14 mm	5/8 inch
	Number of jaws	2	2



Technologies



GLIDE & FIX

The improved geometry guarantees quick and easy movement of the jaws on the cross-beam.



ARMLOCK

The cross-legged jaws guarantee maximum stability for suspending the jaws in the slider.



SWITCH

A two-sided spindle tip provides optimal adjustment of the spindle to the shaft.



Spare part

Art. No.	Product name
614160	Mechanical pressure spindle.
1-91-P	2 narrow jaws (pair)
20-10-T	2-jaw cross bar

Accessories

Art. No.	Product name
219-1	Clamp for 2-jaw pullers
1-191-P	2 narrow jaws (pair)
1-251-P	2 narrow jaws (pair)
1-401-P	2 narrow jaws (pair)
1-V-100-P	2 jaw extensions (pair)
1-V-150-P	2 jaw extensions (pair)
30-10-T	Cross-beam
K-600-014	Set of interchangeable pressure pads for KUKKO pressure screws



Can be used alternatively with

Art. No.	Product name
1-90-P	2 pulling jaws (pair)
1-190-P	2 extended jaws (pair)
1-250-P	2 extended jaws (pair)
1-92-P	2 quick adjusting jaws (pair)
1-192-P	2 quick adjusting jaws (pair)
1-252-P	2 quick adjusting jaws (pair)
1-93-P	2 narrow, quick adjusting jaws (pair)
1-193-P	2 narrow, quick adjusting jaws (pair)
1-253-P	2 narrow, quick adjusting jaws (pair)
1-94-P	2 extremely narrow jaws (pair)
1-194-P	2 extremely narrow jaws (pair)
1-254-P	2 extremely narrow jaws (pair)
1-95-P	2 extremely narrow, quick adjusting jaws (pair)
1-195-P	2 extremely narrow, quick adjusting jaws (pair)
1-255-P	2 extremely narrow, quick adjusting jaws (pair)
1-400-P	2 pulling jaws (pair)



Part of

Art. No.

Product name

20-ST-S

Sales display for 2-jaw puller with narrow jaws

Spare part of

Art. No.

Product name

20-ST-S

Sales display for 2-jaw puller with narrow jaws

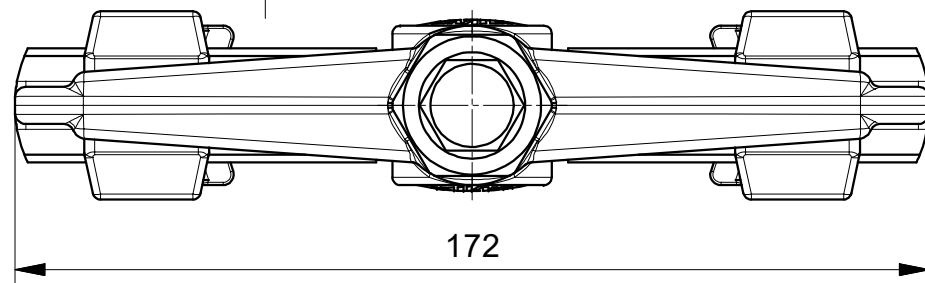
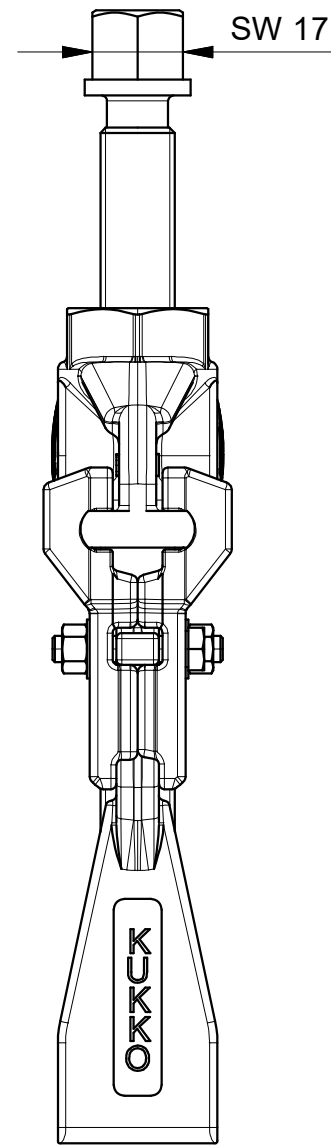
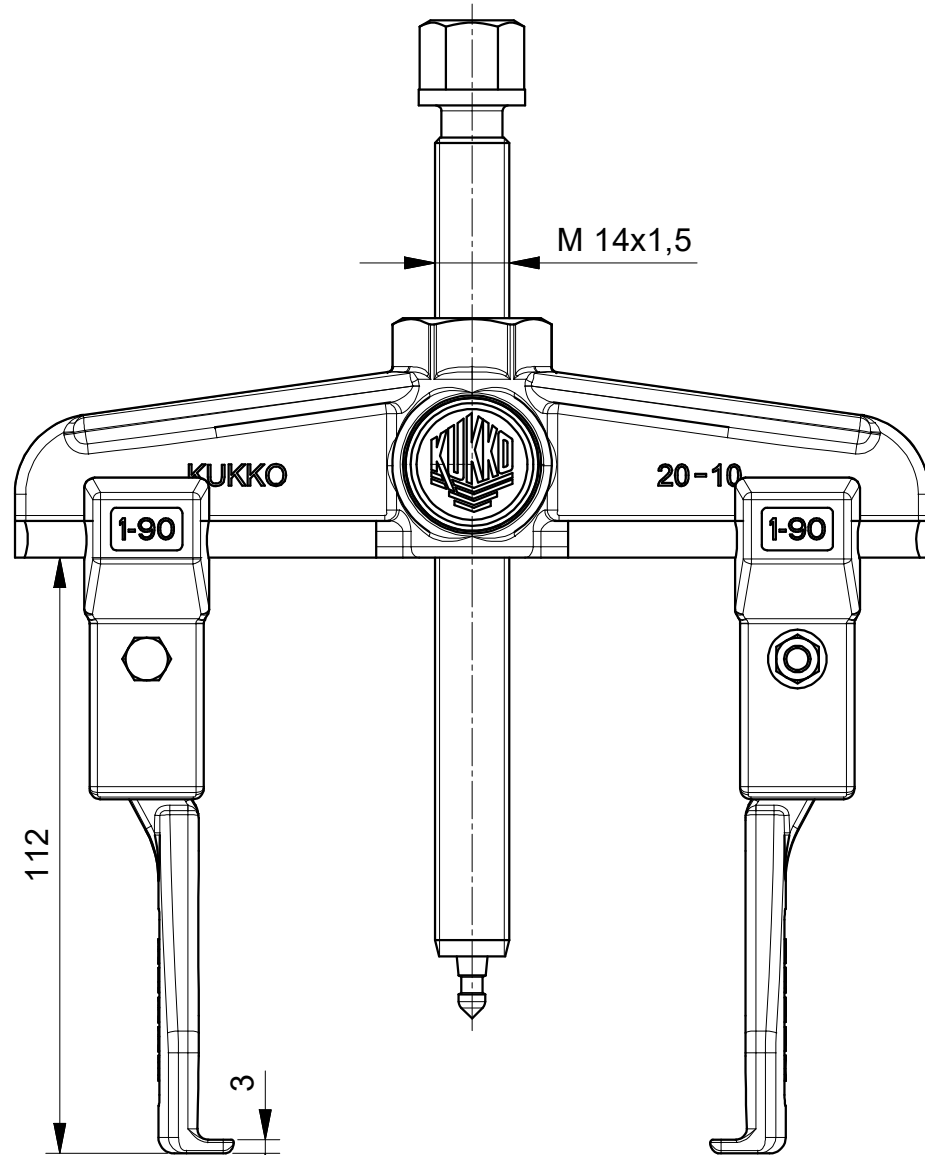
Also included in

Art. No.

Product name

K-2030-10-S

Set of two- and three-arm pullers with narrow jaws



 Kleinbongartz & Kaiser oHG Werkzeugfabrik Hilden - Germany	Dokumentname: 20-10-S_2-Arm-Universal_Abzieher	Toleranz: DIN ISO 2768-m
	Dokumentbeschreibung: Baugruppe	Material: Hoch legierter Werkzeugstahl / High alloy tool steel
Erstellt von: Breidenbach	Erstellungsdatum: 02/05/2018	Maßstab: 1:1
Teilbeschreibung: 2-armiger Universal Abzieher mit schmalen Abzughaken/ Universal 2-jaw puller with narrow jaws		Wärmebehandlung / Härte: vergüteter Stahl/ tempered steel
Artikelnummer / ZNR.: 20-10-S		Oberflächenbehandlung: Schutzvermerk ISO 16016 beachten
Dokumentversion: -		