



Product name

Universal 2-jaw puller wheel extremely narrow, quick adjusting jaws

For removing gears, bearings, sprockets, synchronizer bodies, etc., in tight or difficult-to-access spaces.

Art. No. 20-1+S-T

Series 20+S-T

EAN 4021176321344



	Technical attribute	Metric	Imperial
	Spread	30 - 90 mm	1 3/16 - 3 1/2 inch
	Depth	100 mm	3 7/8 inch
	Spread used internal	70 - 140 mm	2 3/4 - 5 1/2 inch
	Hexagon drive (male)	17 mm	
	Maximum load	2,5 t	2.5 US t
	Maximum torque	35 Nm	25.5 ft lb
	Weight	1.215 kg	
	Space below	3 mm	1/8 inch
	Space next to it	12 mm	1/2 inch
	Number of jaws	2	2



Technologies



GLIDE & FIX

The improved geometry guarantees quick and easy movement of the jaws on the cross-beam.



ARMLOCK

The cross-legged jaws guarantee maximum stability for suspending the jaws in the slider.



QUICK ADJUST

The knurls allow the jaws to be quickly released and moved on the cross-beam without the need for tools.



SWITCH

A two-sided spindle tip provides optimal adjustment of the spindle to the shaft.



Spare part

Art. No.	Product name
614160	Mechanical pressure spindle.
1-95-P	2 extremely narrow, quick adjusting jaws (pair)
1-195-P	2 extremely narrow, quick adjusting jaws (pair)
1-255-P	2 extremely narrow, quick adjusting jaws (pair)
20-1-T	2-jaw cross bar

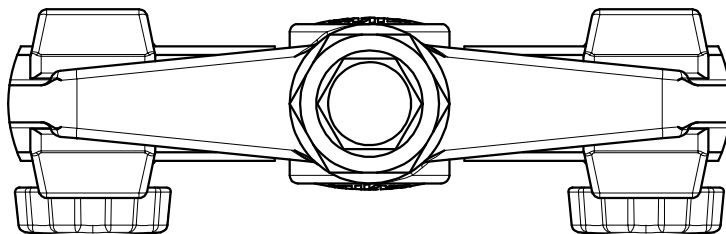
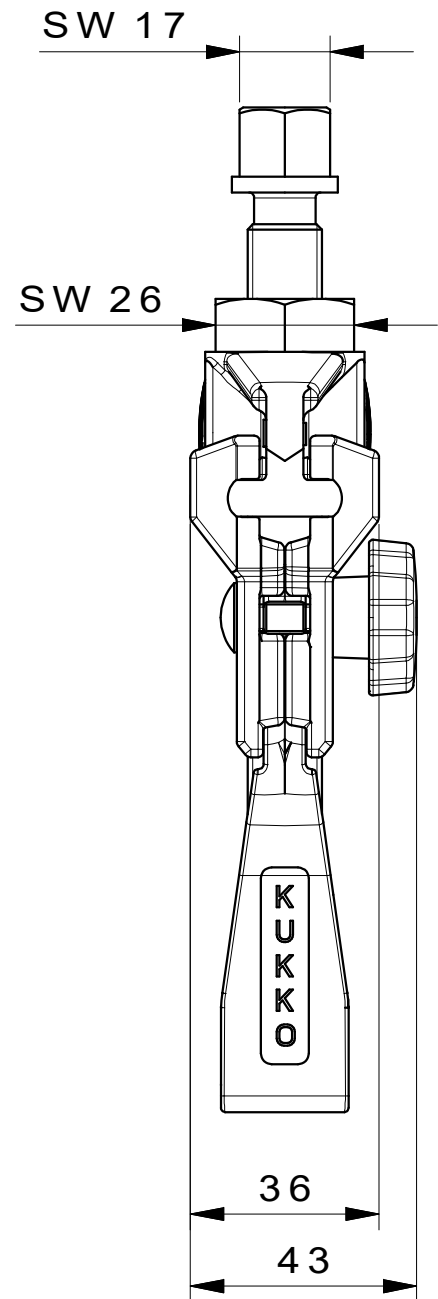
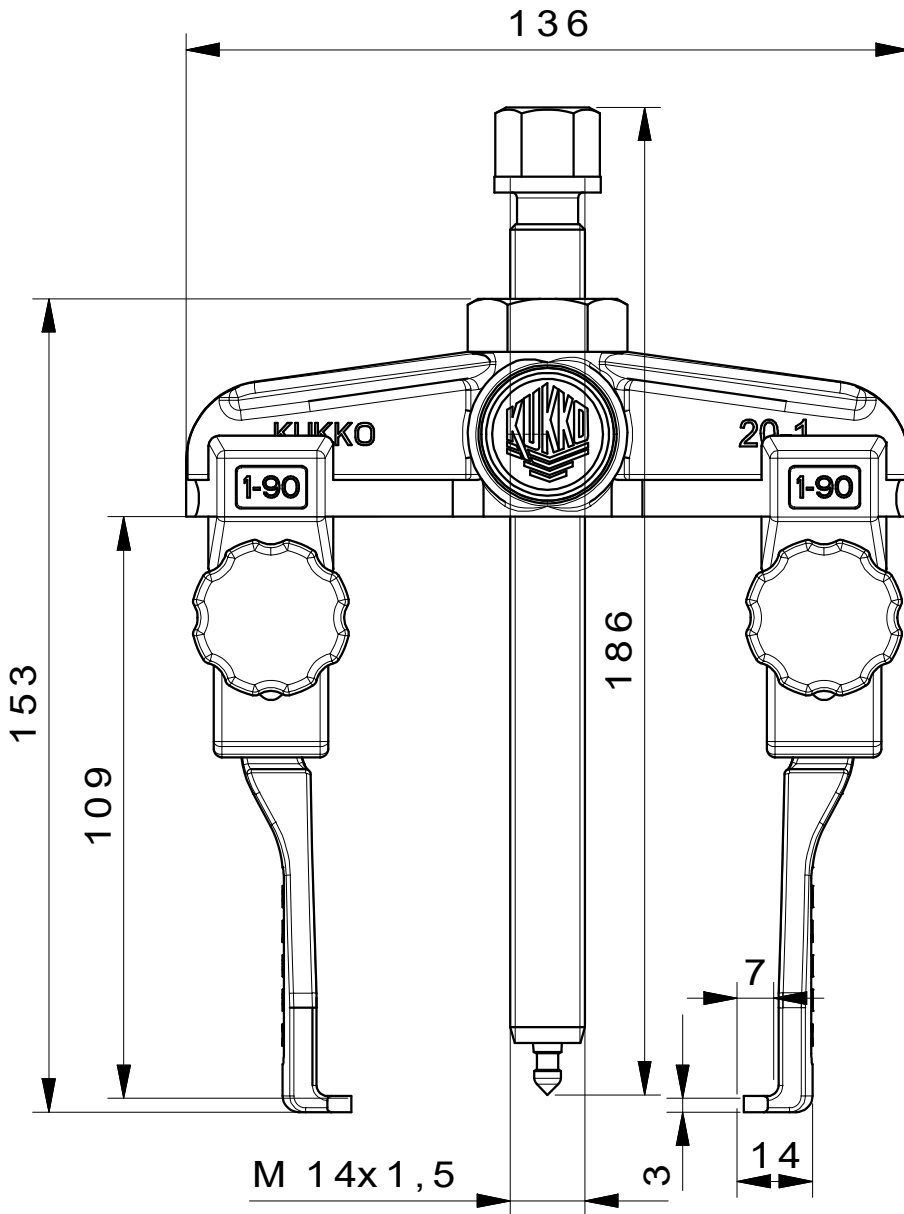
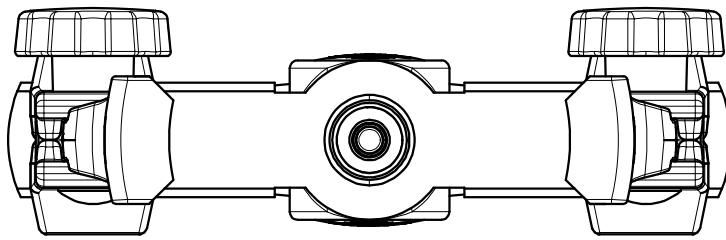
Accessories

Art. No.	Product name
219-1	Clamp for 2-jaw pullers
1-195-P	2 extremely narrow, quick adjusting jaws (pair)
1-255-P	2 extremely narrow, quick adjusting jaws (pair)
K-600-014	Set of interchangeable pressure pads for KUKKO pressure screws



Part of

Art. No.	Product name
EVLW-2-INDUSTRIE	Display
EVLW-2-KFZ	Merchandiser, automotiv pullers
EVLW-2-NFZ	Merchandiser, automotive pullers / commercial vehicle / agricultural machinery



 Kleinbongartz & Kaiser oHG Werkzeugfabrik Hilden - Germany	Dokumentname: 20-1+S-T_2-Arm-Universal_Abzieher	Toleranz: DIN ISO 2768-m
	Dokumentbeschreibung: Baugruppe	Material: Hoch legierter Werkzeugstahl / High alloy tool steel
Erstellt / Geprüft von: Breidenbach	Erstellungsdatum: 29/08/2017	Maßstab: 1:1
Teilbeschreibung: 2-Arm-Universal_Abzieher mit schmalen Abzugshaken/ Universal 2-jaw puller with narrow jaws		Wärmebehandlung / Härte: vergüteter Stahl/ tempered steel
Oberflächenbehandlung:		Schutzvermerk ISO 16016 beachten
Artikelnummer / ZNR.: 20-1+S-T	Dokumentversion: -	