



Product name

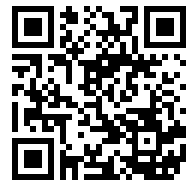
2-jaw puller

For removing bearings, gears, discs, etc.

Art. No. 20-1

Series 20

EAN 4021176009433



	Technical attribute	Metric	Imperial
	Spread	30 - 90 mm	1 3/16 - 3 1/2 inch
	Depth	100 mm	3 7/8 inch
	Spread used internal	70 - 140 mm	2 3/4 - 5 1/2 inch
	Hexagon drive (male)	17 mm	
	Maximum load	4,5 t	4.5 US t
	Maximum torque	80 Nm	59 ft lb
	Number of jaws	2	2
	Weight	1.305 kg	
	Space below	10 mm	3/8 inch
	Space next to it	31 mm	1 1/4 inch



Technologies



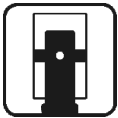
SWITCH

A two-sided spindle tip provides optimal adjustment of the spindle to the shaft.



GLIDE & FIX

The improved geometry guarantees quick and easy movement of the jaws on the cross-beam.



ARMLOCK

The cross-legged jaws guarantee maximum stability for suspending the jaws in the slider.



Spare part

Art. No.	Product name
614160	Mechanical pressure spindle.
1-90-P	2 pulling jaws (pair)
20-1-T	2-jaw cross bar

Accessories

Art. No.	Product name
219-1	Clamp for 2-jaw pullers
1-190-P	2 extended jaws (pair)
1-250-P	2 extended jaws (pair)
1-V-100-P	2 jaw extensions (pair)
1-V-150-P	2 jaw extensions (pair)
1-90-E	Jaws (individual)
1-400-P	2 pulling jaws (pair)
30-1-T	3-jaw cross bar
K-600-014	Set of interchangeable pressure pads for KUKKO pressure screws



Can be used alternatively with

Art. No.	Product name
1-91-P	2 narrow jaws (pair)
1-191-P	2 narrow jaws (pair)
1-251-P	2 narrow jaws (pair)
1-401-P	2 narrow jaws (pair)
1-92-P	2 quick adjusting jaws (pair)
1-192-P	2 quick adjusting jaws (pair)
1-252-P	2 quick adjusting jaws (pair)
1-93-P	2 narrow, quick adjusting jaws (pair)
1-193-P	2 narrow, quick adjusting jaws (pair)
1-253-P	2 narrow, quick adjusting jaws (pair)
1-94-P	2 extremely narrow jaws (pair)
1-194-P	2 extremely narrow jaws (pair)
1-254-P	2 extremely narrow jaws (pair)
1-95-P	2 extremely narrow, quick adjusting jaws (pair)
1-195-P	2 extremely narrow, quick adjusting jaws (pair)
1-255-P	2 extremely narrow, quick adjusting jaws (pair)



Part of

Art. No.	Product name
24-A	Set of bearing pulling and extracting tools
24-B	Set of bearing pulling and extracting tools
24-C	Set of bearing pulling and extracting tools
20-ST	Sales display for 2-jaw pullers

Spare part of

Art. No.	Product name
24-A	Set of bearing pulling and extracting tools
24-B	Set of bearing pulling and extracting tools
24-C	Set of bearing pulling and extracting tools
K-20-15	Universal puller set with separator
20-ST	Sales display for 2-jaw pullers



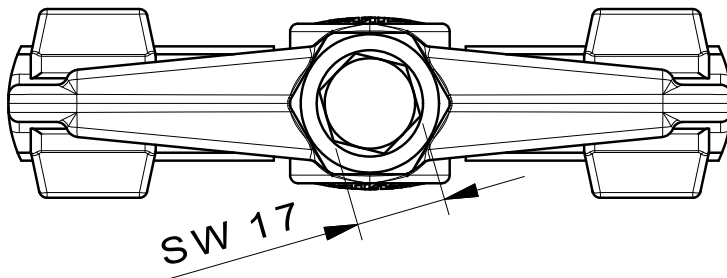
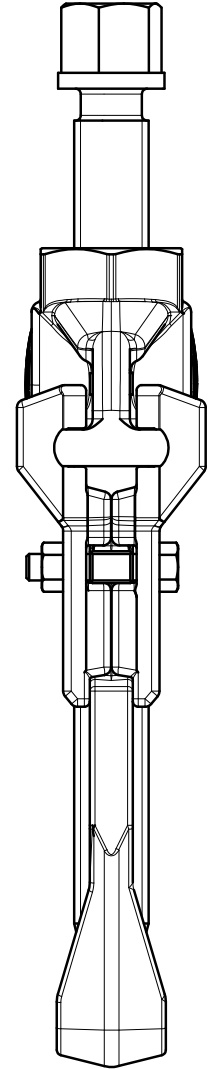
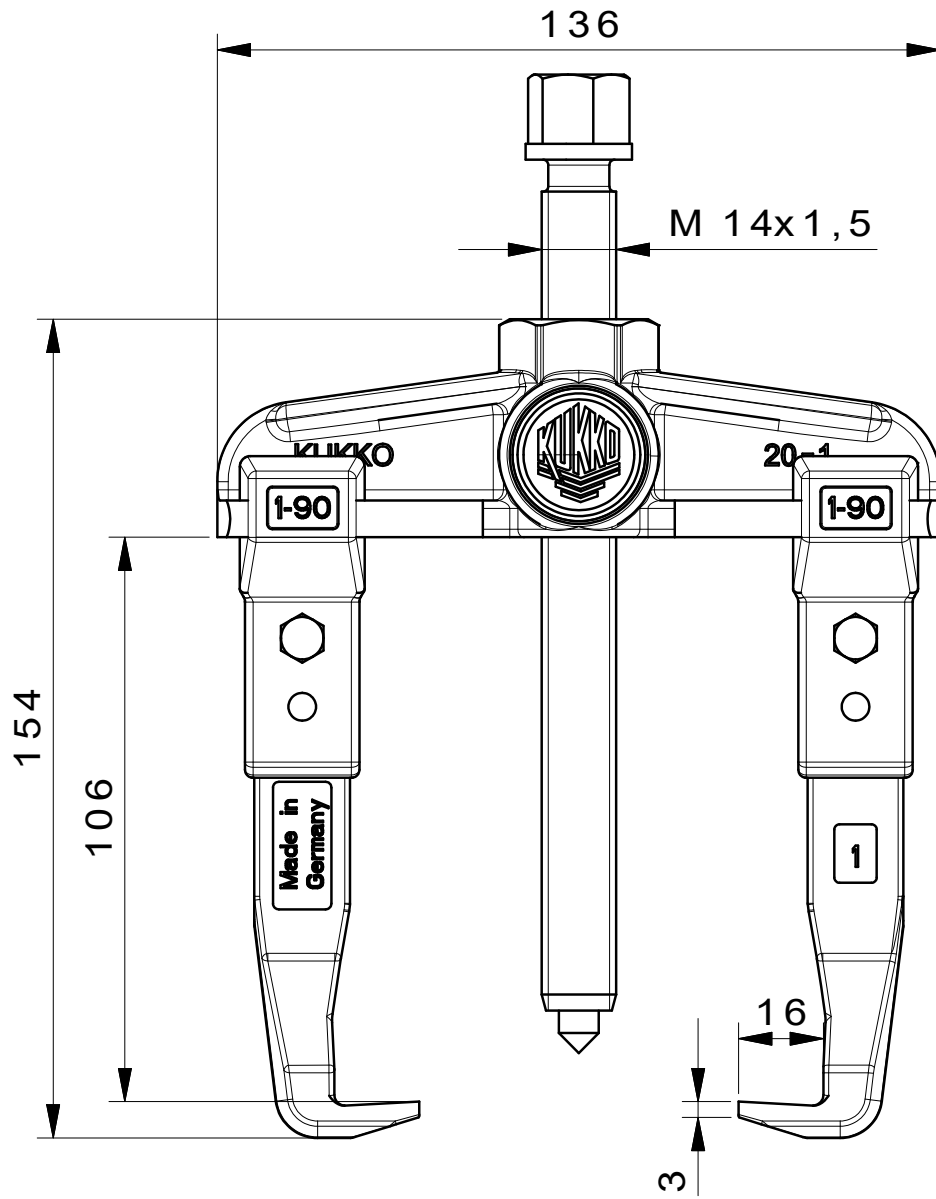
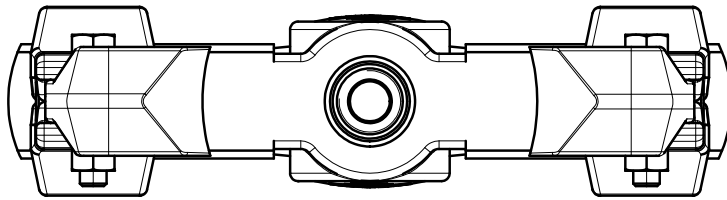
Also included in

Art. No.

Product name

K-20-15

Universal puller set with separator



 Kleinbongartz & Kaiser oHG Werkzeugfabrik Hilden - Germany	Dokumentname: 20-1_2-Arm-Universal_Abzieher		Toleranz: DIN ISO 2768-m
	Dokumentbeschreibung: Baugruppe		Material: Hoch legierter Werkzeugstahl / High alloy tool steel
Erstellt / Geprüft von: Schultes	Erstellungsdatum: 30/03/2015	Maßstab: 1:1	
Teilbeschreibung: 2-Arm-Universal_Abzieher /2-jaw puller		Wärmebehandlung / Härte: vergüteter Stahl/ tempered steel	
Oberflächenbehandlung:		Schutzvermerk ISO 16016 beachten	
Artikelnummer / ZNR.: 20-1	Dokumentversion: -		