



Product name

2-jaw puller

For removing bearings, gears, discs, etc.

Art. No. 20-2

Series 20

EAN 4021176009501



	Technical attribute	Metric	Imperial
	Spread	40 - 160 mm	1 5/8 - 6 3/8 inch
	Depth	150 mm	5 7/8 inch
	Spread used internal	100 - 220 mm	3 7/8 - 8 5/8 inch
	Hexagon drive (male)	22 mm	
	Maximum load	6,0 t	6.5 US t
	Maximum torque	150 Nm	110.5 ft lb
	Number of jaws	2	2
	Weight	3.01 kg	
	Space below	9 mm	3/8 inch
	Space next to it	40 mm	1 5/8 inch



Technologies



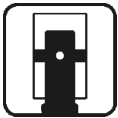
SWITCH

A two-sided spindle tip provides optimal adjustment of the spindle to the shaft.



GLIDE & FIX

The improved geometry guarantees quick and easy movement of the jaws on the cross-beam.



ARMLOCK

The cross-legged jaws guarantee maximum stability for suspending the jaws in the slider.



Spare part

Art. No.	Product name
621220	Mechanical pressure spindle.
2-150-P	2 pulling jaws (pair)
20-2-T	2-jaw cross bar

Accessories

Art. No.	Product name
8-01	Long hydraulic spindle
2-300-P	2 extended jaws (pair)
2-V-150-P	2 jaw extensions (pair)
2-150-E	Jaw with extension (indiv.)
30-2-T	3-jaw cross bar
K-600-025	Set of interchangeable pressure pads for KUKKO pressure screws



Can be used alternatively with

Art. No.	Product name
2-151-P	2 narrow jaws (pair)
2-301-P	2 narrow jaws (pair)
2-152-P	2 quick adjusting jaws (pair)
2-302-P	2 quick adjusting jaws (pair)
2-153-P	2 narrow, quick adjusting jaws (pair)
2-303-P	2 narrow, quick adjusting jaws (pair)

Part of

Art. No.	Product name
24-B	Set of bearing pulling and extracting tools
24-C	Set of bearing pulling and extracting tools
20-ST	Sales display for 2-jaw pullers

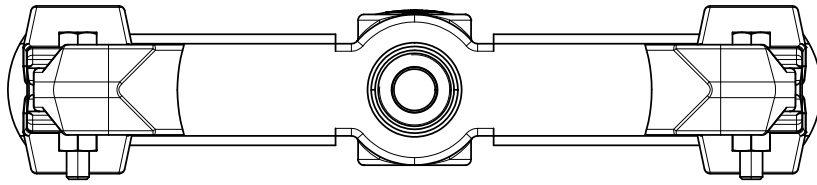


Spare part of

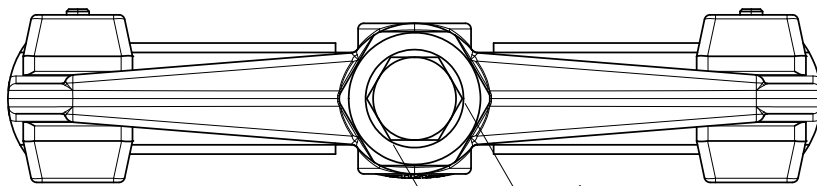
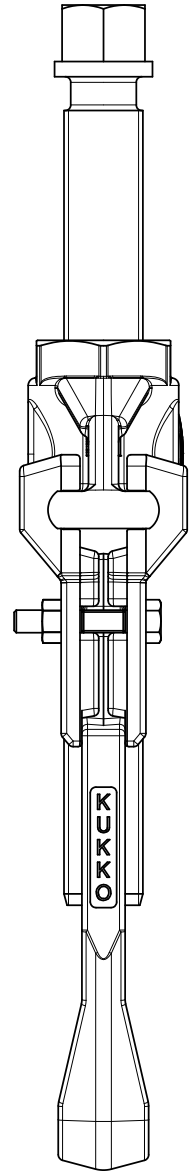
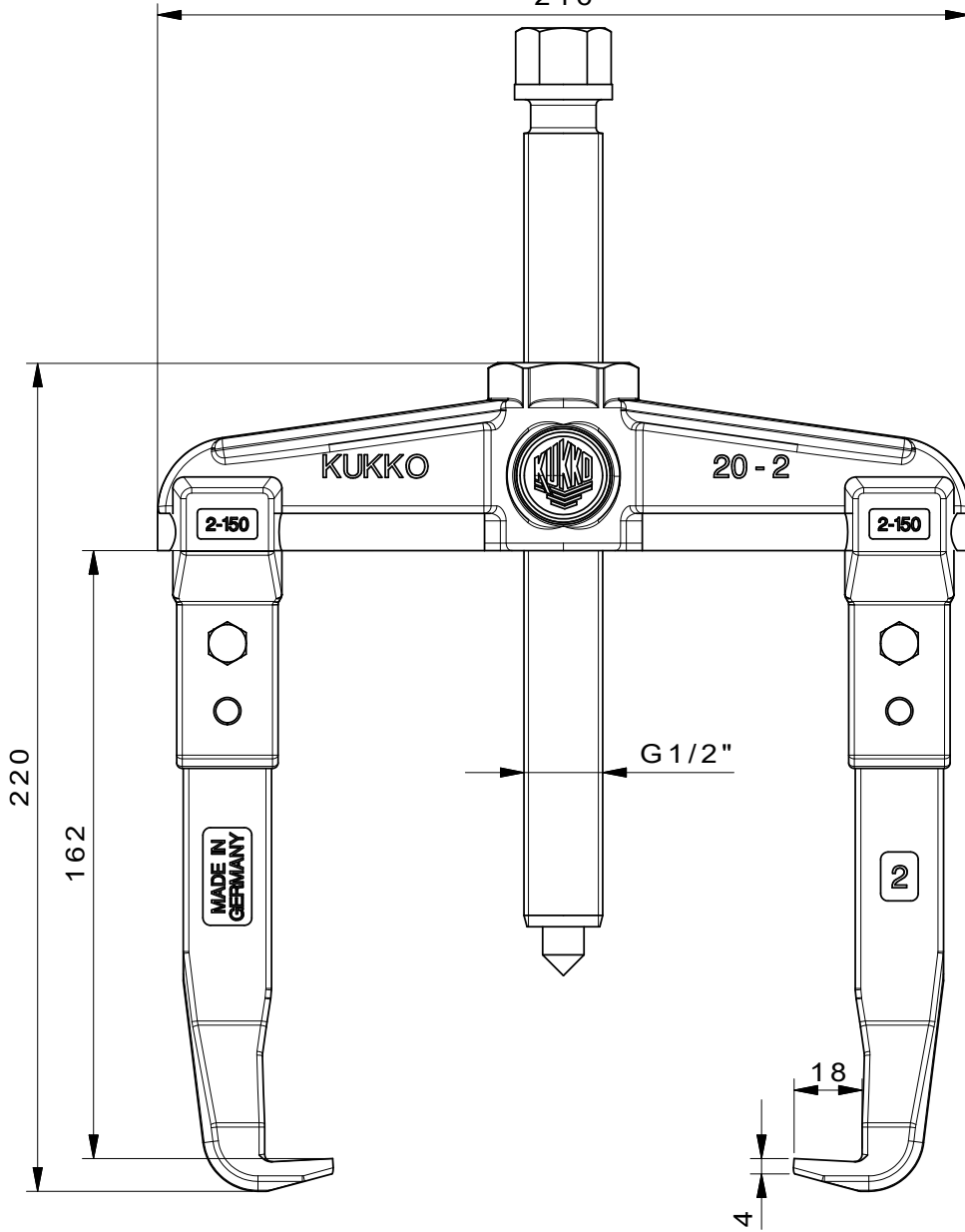
Art. No.	Product name
24-B	Set of bearing pulling and extracting tools
24-C	Set of bearing pulling and extracting tools
K-20-15	Universal puller set with separator
20-ST	Sales display for 2-jaw pullers

Also included in


Art. No.	Product name
K-20-15	Universal puller set with separator



216



SW 22

 Kleinbongartz & Kaiser oHG Werkzeugfabrik Hilden - Germany	Dokumentname: 20-2_2-Arm-Universal_Abzieher		Toleranz: DIN ISO 2768-m
	Dokumentbeschreibung: Baugruppe		Material: Hoch legierter Werkzeugstahl / High alloy tool steel
Teilbeschreibung: 2-Arm-Universal_Abzieher/ 2-jaw puller	Erstellt / Geprüft von: Schultes	Erstellungsdatum: 30/03/2015	Maßstab: 1:1
Artikelnummer / ZNR.: 20-2	Dokumentversion: -	Wärmebehandlung / Härte: vergüteter Stahl/ tempered steel Oberflächenbehandlung:	
		Schutzvermerk ISO 16016 beachten	