



Product name

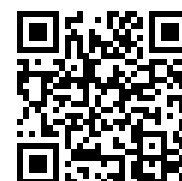
Internal extractor

For extracting inner bearings, bearing outer rings and bushings.

Art. No. 21-01

Series 21

EAN 4021176010651



Technical attribute

Metric

Imperial



Ball bearing ISO

608; 619/8; 628/8;	608; 619/8; 628/8;
609; 618/9; 629;	609; 618/9; 629;
6000; 6200; 6300;	6000; 6200; 6300;
6800; 6900; 61800;	6800; 6900; 61800;
61900; 62200;	61900; 62200;
62300; 6001; 6201;	62300; 6001; 6201;
6301; 6801; 6901;	6301; 6801; 6901;
16001; 16101;	16001; 16101;
61801; 61901;	61801; 61901;
62201; 62301	62201; 62301



Inner diameter of ball bearing

8 - 12 mm

3/8 - 1/2 inch



Effective depth

14 mm

5/8 inch



Length of internal extractor

73 mm

2 7/8 inch



Number of segments

2

2

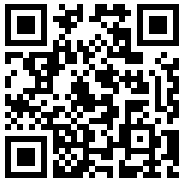


Weight

0.115 kg



has to be accomplished with



Slide hammer device

22-0



Counterstay

22-1



Accessories

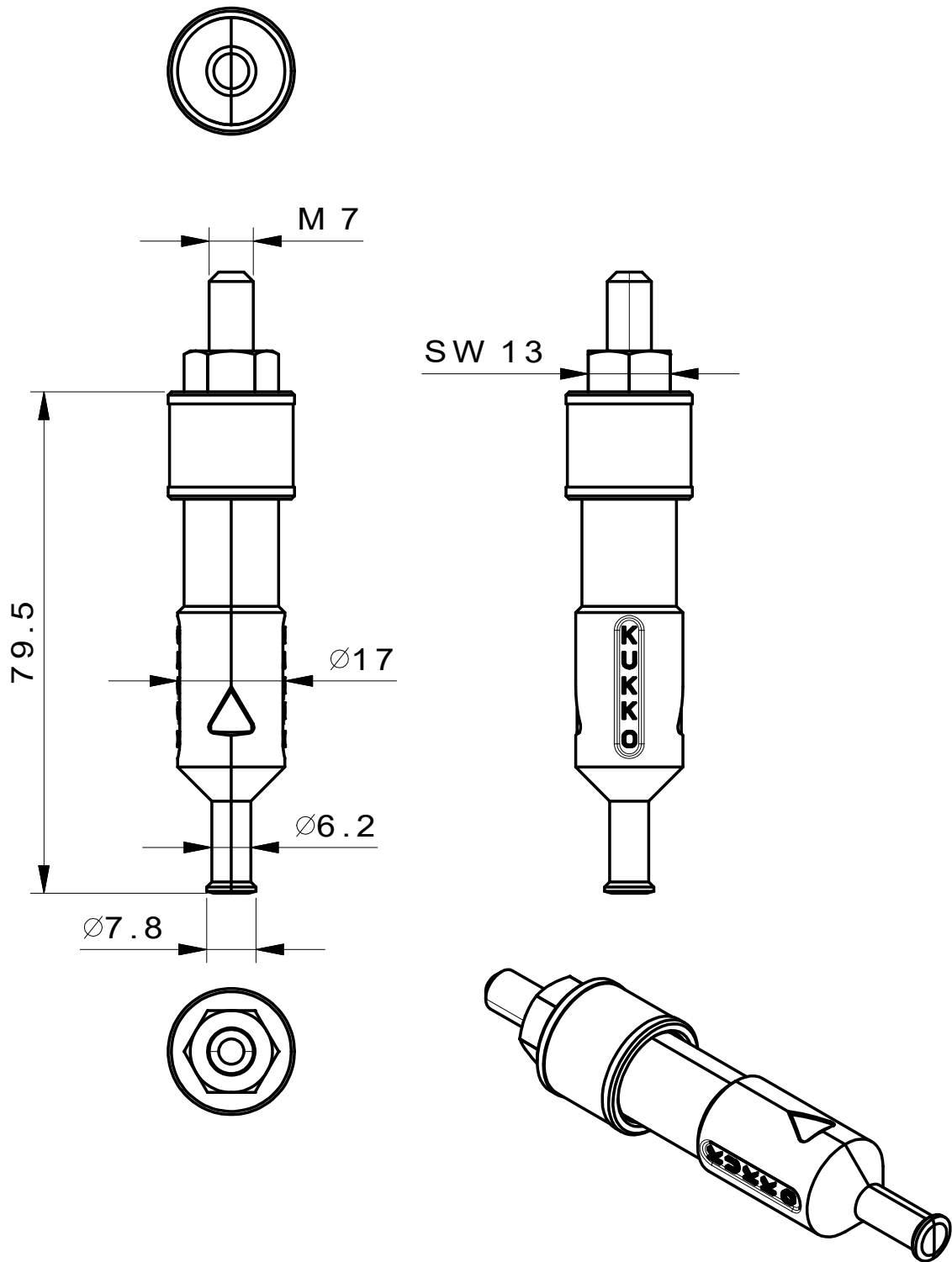
Art. No.	Product name
21-V-040	Extension for internal extractor
21-V-0	Set of extensions for internal extractors

Goes with

Art. No.	Product name
22-1	Counterstay

Part of

Art. No.	Product name
28-A	Set of slide hammer for extracting ball bearings and dowel-pins
EVLW-2-INDUSTRIE	Display
EVLW-INDUSTRIE BASIC	Display



 <p>Kleinbongartz & Kaiser oHG Werkzeugfabrik Hilden - Germany</p>	Dokumentname: 21-01 Innenauszieher		Toleranz: DIN ISO 2768-m	
	Dokumentbeschreibung: ZSB		Material: Hochfester extra zäher Vergütungsstahl/ High tensile strength and toughness steel	
	Erstellt / Geprüft von: Schultes	Erstellungsdatum: 05/06/2015	Maßstab: 1:1	
Teilbeschreibung: Innenauszieher/ Internal extractor			Wärmebehandlung / Härte: vergüteter Stahl/ tempered steel	
			Oberflächenbehandlung:	
Artikelnummer / ZNR.: 21-01	Dokumentversion: -		Schutzvermerk ISO 16016 beachten	