



Product name *

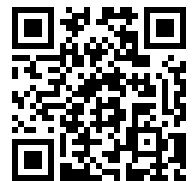
Internal extractor

For extracting inner bearings, bearing outer rings and bushings.

Art. No. 21-0

Series 21

EAN 4021176010408



Technical attribute

Metric

Imperial



Ball bearing ISO

625; 635; 626; 607;
627; 608; 619/8;
628/8

625; 635; 626; 607;
627; 608; 619/8;
628/8



Inner diameter of ball bearing

5 - 8 mm

1/4 - 3/8 inch



Effective depth

14 mm

5/8 inch



Length of internal extractor

73 mm

2 7/8 inch



Number of segments

2

2



Weight

0.115 kg

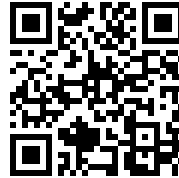


has to be accomplished with



Slide hammer device

22-0



Counterstay

22-1



Accessories

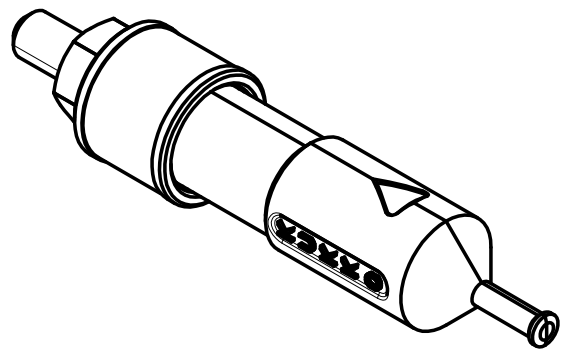
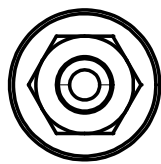
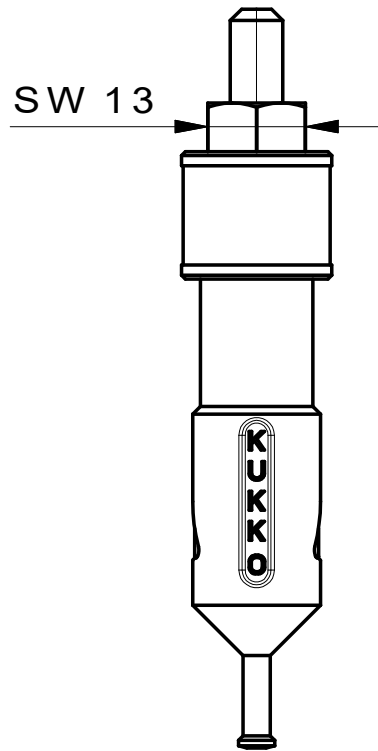
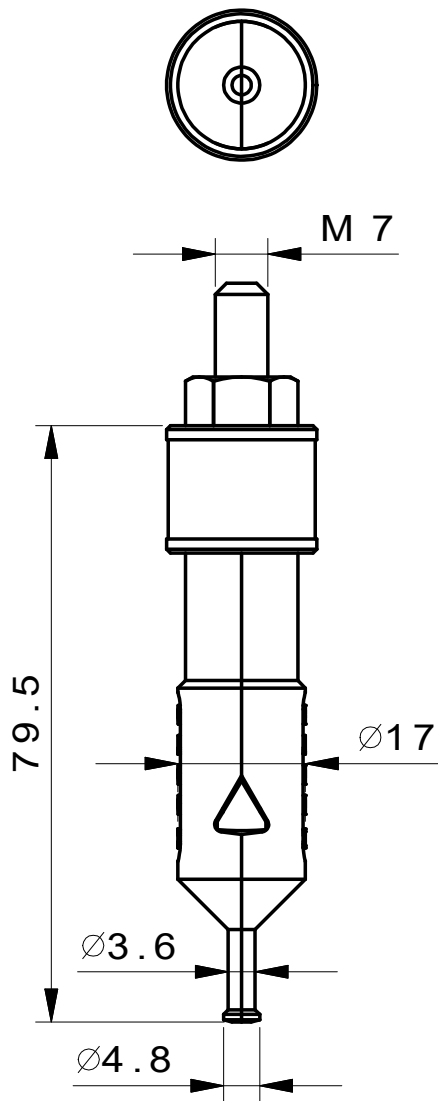
Art. No.	Product name
21-V-040	Extension for internal extractor
21-V-0	Set of extensions for internal extractors

Goes with

Art. No.	Product name
22-1	Counterstay

Part of

Art. No.	Product name
EVLW-2-INDUSTRIE	Display
EVLW-INDUSTRIE BASIC	Display



**Kleinbongartz
& Kaiser
oHG**
Werkzeugfabrik
Hilden - Germany

Dokumentname:
21-0 Innenauszieher

Toleranz:
DIN ISO 2768-m

Dokumentbeschreibung:
ZSB

Material:
Hochfester extra zäher Vergütungsstahl/
High tensile strength and toughness steel

Erstellt / Geprüft von:
Schultes

Erstellungsdatum:
05/06/2015

Maßstab:
1:1

Teilbeschreibung:
Innenauszieher/ Internal extractor

Wärmebehandlung / Härte:
vergüteter Stahl/ tempered steel

Oberflächenbehandlung:

Artikelnummer / ZNR.:
21-0

Dokumentversion:
-

Schutzvermerk
ISO 16016
beachten