



Product name

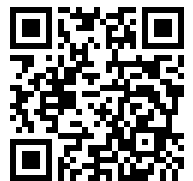
Needle bearing extractors

For pulling needle bearings, bearing bushings and outer bearing rings which have little or no undercut.

Art. No. 21-44-E

Series 21-4x-E

EAN 4021176039300



Technical attribute

Metric

Imperial



Inner diameter of ball bearing

15 - 20 mm

5/8 - 3/4 inch



Effective depth

50 mm

2 inch



Length of internal extractor

90 mm

3 1/2 inch



Number of segments

3

3

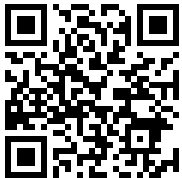


Weight

0.2 kg



has to be accomplished with



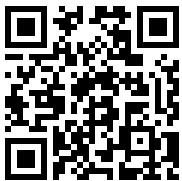
Slide hammer device

22-0



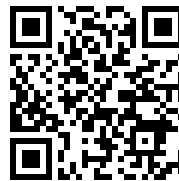
Slide hammer device

22-0-1



Counterstay

22-1



Counterstay

22-2



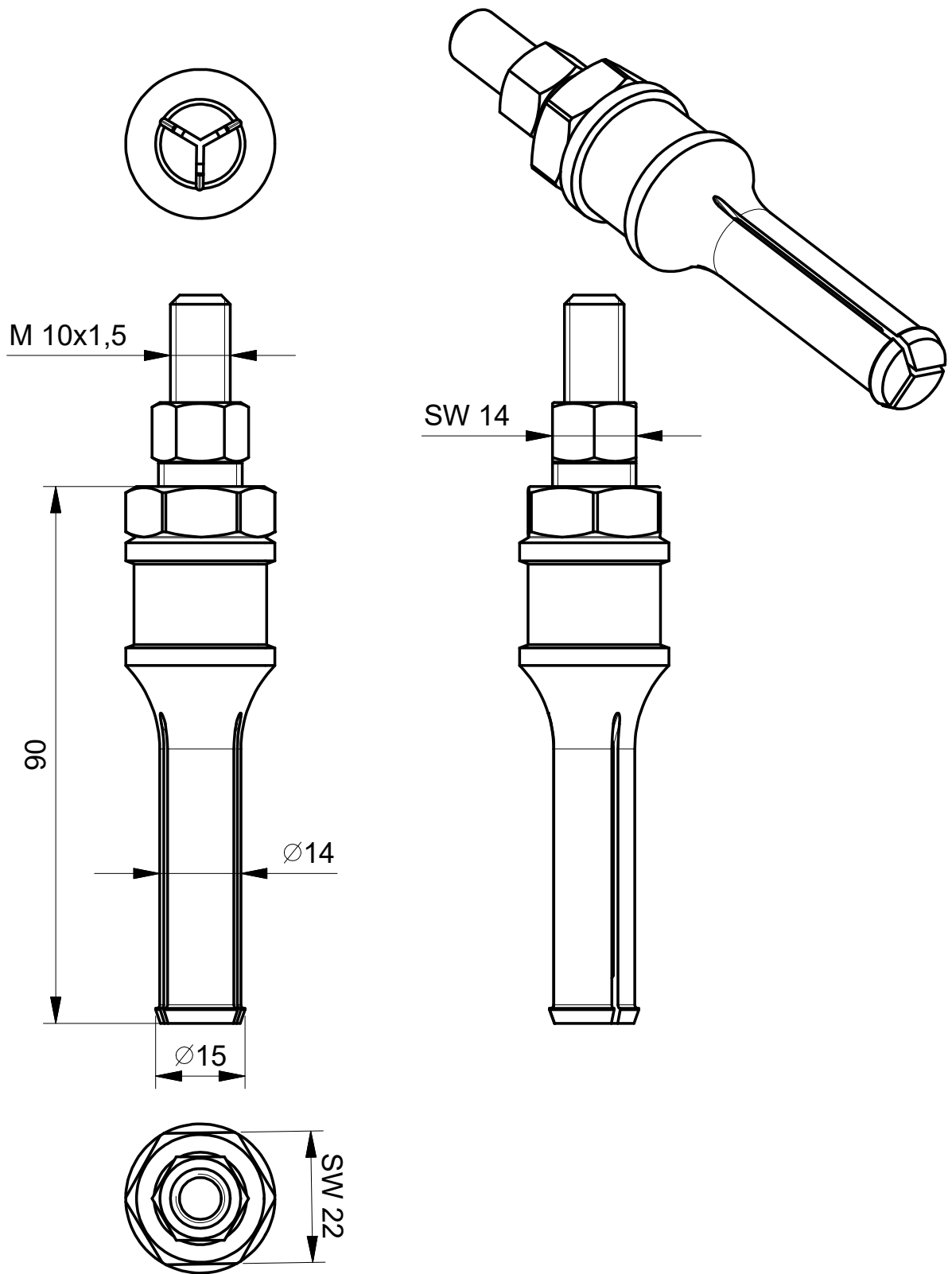
Part of

Art. No.

Product name

27-A

Universal puller set



 <p>Kleinbongartz & Kaiser oHG Werkzeugfabrik Hilden - Germany</p>	Dokumentname: 21-3-E_Segmentinnenauszieher		Toleranz: DIN ISO 2768-m	
	Dokumentbeschreibung: Baugruppe		Material: Hochfester extra zäher Vergütungsstahl/ High tensile strength and toughness steel	
	Erstellt / Geprüft von: Schultes	Erstellungsdatum: 21/09/2015	Maßstab: 1:1	
Teilbeschreibung: Nadellager-Innenauszieher/ Internal extractor with segmented grasp edge			Wärmebehandlung / Härte: vergüteter Stahl/ tempered steel	
			Oberflächenbehandlung:	
Artikelnummer / ZNR.: 21-44-E	Dokumentversion: -		Schutzvermerk ISO 16016 beachten	