



Product name

Internal extractor with segmented grasp edge

For extracting bearings, bearing outer rings and bushings that lay flat on one another.

Art. No. 21-5-E

Series 21-E

EAN 4021176924071



Technical attribute

Metric

Imperial



Ball bearing ISO

6007; 6207; 6307;	6007; 6207; 6307;
6407; 16007; 61807;	6407; 16007; 61807;
61907; 6008; 6208;	61907; 6008; 6208;
6308; 6408; 16008;	6308; 6408; 16008;
61808; 61908; 6009;	61808; 61908; 6009;
6209; 6309; 6409;	6209; 6309; 6409;
16009; 61809;	16009; 61809;
61909	61909



Inner diameter of ball bearing

34 - 48 mm

1 3/8 - 1 7/8 inch



Effective depth

65 mm

2 5/8 inch



Length of internal extractor

110 mm

4 3/8 inch



Number of segments

4

4



Spanner size of the internal extractor

24 mm



Weight

0.215 kg



has to be accomplished with



Slide hammer device

22-0-1



Counterstay

22-2



Goes with

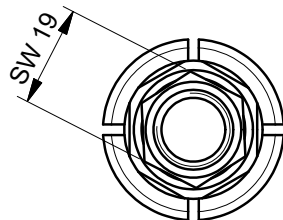
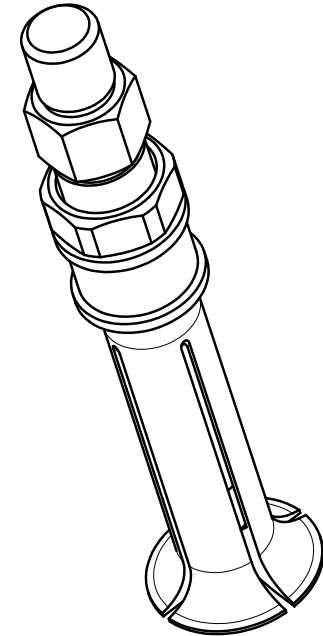
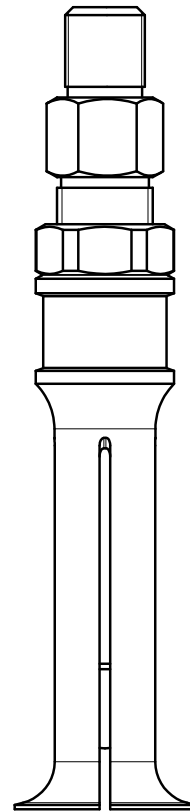
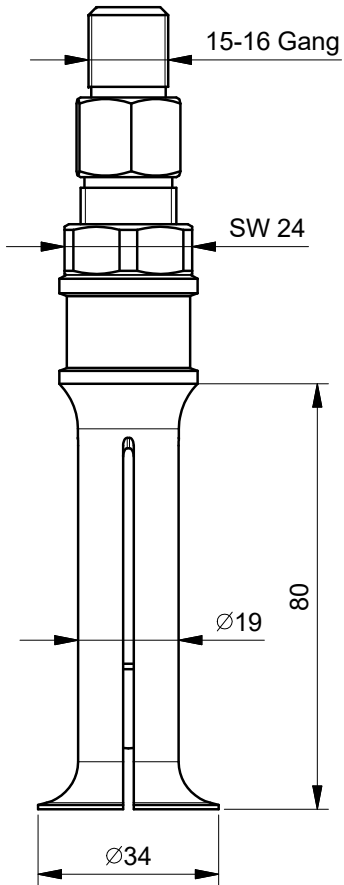
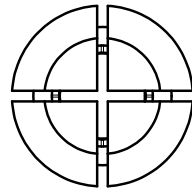
Art. No.	Product name
22-2	Counterstay

Part of

Art. No.	Product name
27-A	Universal puller set
WT-017	Puller product range - interior pulling - BASIC

Spare part of

Art. No.	Product name
27-A	Universal puller set



 Kleinbongartz & Kaiser oHG Werkzeugfabrik Hilden - Germany	Dokumentname: 21-5-E_Segment-Innenauszieher		Toleranz: DIN ISO 2768-m
	Dokumentbeschreibung: Baugruppe		Material: Hochfester extra zäher Vergütungsstahl/ High tensile strength and toughness steel
	Erstellt / Geprüft von: Schultes	Erstellungsdatum: 21/09/2015	Maßstab: 1:1
Teilbeschreibung: Segment-Innenauszieher/ Internal extractor with segmented grasp edge			Wärmebehandlung / Härte: vergüteter Stahl/ tempered steel
Oberflächenbehandlung:			Schutzvermerk ISO 16016 beachten
Artikelnummer / ZNR.: 21-5-E		Dokumentversion: -	