



Product name

Internal extractor with segmented grasp edge

For extracting bearings, bearing outer rings and bushings that lay flat on one another.

Art. No. 21-7-E

Series 21-E

EAN 4021176924095



Technical attribute

Metric

Imperial



Ball bearing ISO

6013; 6213; 6313;	6013; 6213; 6313;
16013; 61913; 6014;	16013; 61913; 6014;
6214; 6314; 16014;	6214; 6314; 16014;
6015; 6215; 6315;	6015; 6215; 6315;
16015	16015



Inner diameter of ball bearing

63 - 78 mm 2 1/2 - 3 1/16 inch



Effective depth

80 mm 3 3/16 inch



Length of internal extractor

120 mm 4 3/4 inch



Number of segments

6 6



Spanner size of the internal extractor

32 mm



Weight

0.86 kg

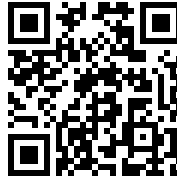


has to be accomplished with



Slide hammer device

22-0-1



Counterstay

22-2



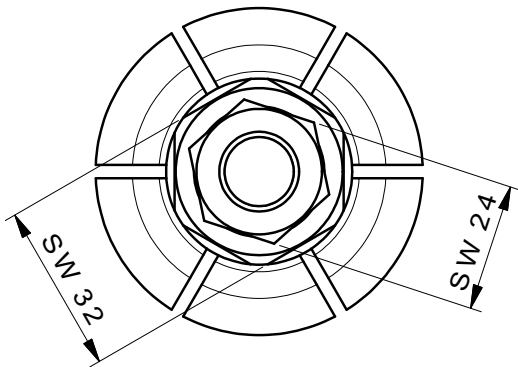
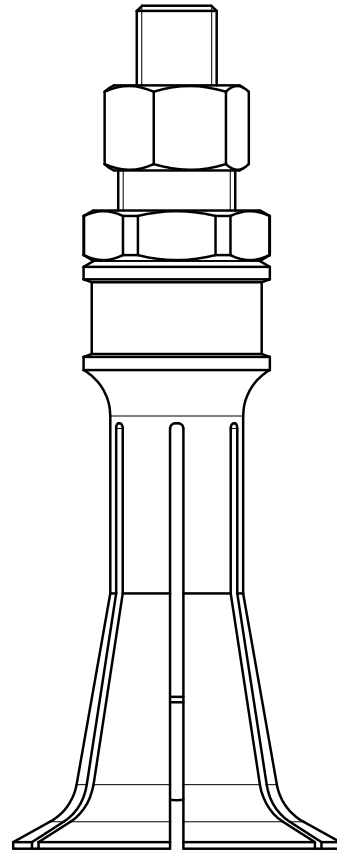
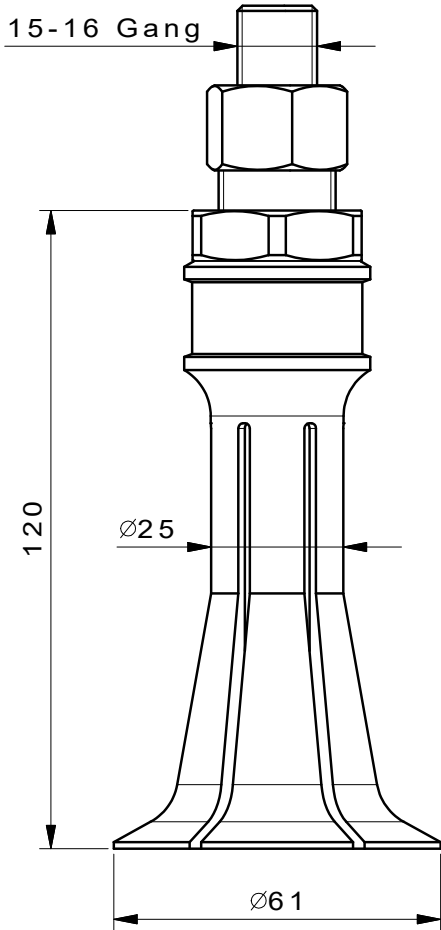
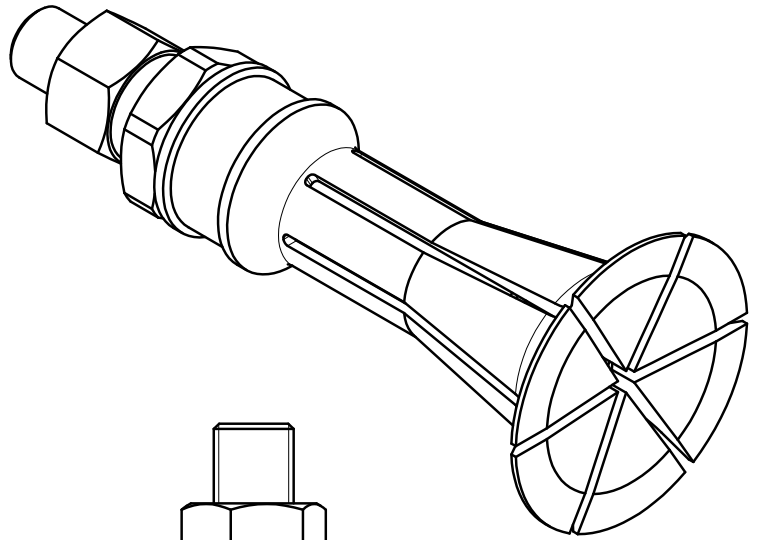
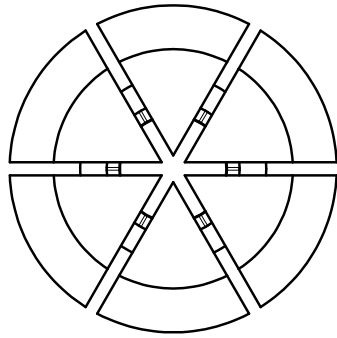
Goes with

Art. No.

Product name

22-2

Counterstay



 Kleinbongartz & Kaiser oHG Werkzeugfabrik Hilden - Germany	Dokumentname: 21-7-E_Segment-Innenauszieher		Toleranz: DIN ISO 2768-m
	Dokumentbeschreibung: Baugruppe		Material: Hochfester extra zäher Vergütungsstahl/ High tensile strength and toughness steel
	Erstellt von: Schultes	Erstellungsdatum: 18/04/2016	Maßstab: 1:1
Teilbeschreibung: Segment-Innenauszieher/ Internal extractor with segmented grasp edge		Wärmebehandlung / Härte: vergüteter Stahl/ tempered steel	
		Oberflächenbehandlung:	
Artikelnummer / ZNR.: 21-7-E	Dokumentversion: -	Schutzvermerk ISO 16016 beachten	