



Product name

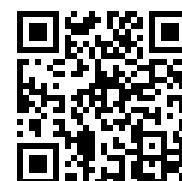
## Internal extractor

For extracting inner bearings, bearing outer rings and bushings.

Art. No. 21-7

Series 21

EAN 4021176011641



### Technical attribute

### Metric

### Imperial



Ball bearing ISO

6009; 6209; 6309;	6009; 6209; 6309;
6409; 16009; 61809;	6409; 16009; 61809;
61909; 6010; 6210;	61909; 6010; 6210;
6310; 6410; 16010;	6310; 6410; 16010;
61810; 61910; 6011;	61810; 61910; 6011;
6211; 6311; 6411;	6211; 6311; 6411;
16011; 61811;	16011; 61811;
61911	61911



Inner diameter of ball bearing

45 - 58 mm      1 3/4 - 2 1/4 inch



Effective depth

85 mm      3 3/8 inch



Length of internal extractor

135 mm      5 3/8 inch



Number of segments

2      2



Weight

1.23 kg

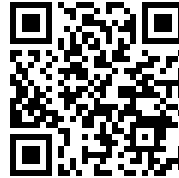


has to be accomplished with



**Slide hammer device**

22-0-1



**Counterstay**

22-2



**Counterstay**

22-3



## Goes with

<b>Art. No.</b>	<b>Product name</b>
22-2	Counterstay
22-3	Counterstay

## Part of

<b>Art. No.</b>	<b>Product name</b>
24-B	Set of bearing pulling and extracting tools
24-C	Set of bearing pulling and extracting tools
25-B	Set of bearing extracting tools
25-C	Set of bearing extracting tools
28-D	Set of slide hammer and counterstays for extracting ball bearings and dowel-pins
WT-017	Puller product range - interior pulling - BASIC
WT-018	Puller product range - interior pulling - TOP
K-22-B	Ball bearing extracting set with counterstay and slide hammer
EVLW-2-KFZ	Merchandiser, automotiv pullers
EVLW-2-NFZ	Merchandiser, automotive pullers / commercial vehicle / agricultural machinery
EVLW-INDUSTRIE BASIC	Display

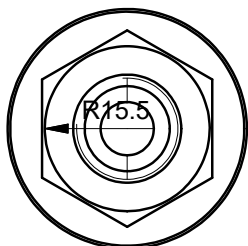
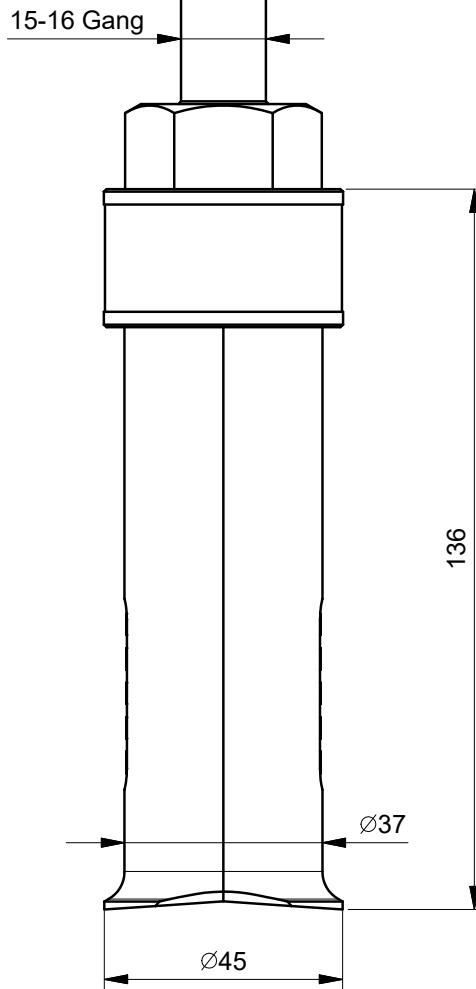
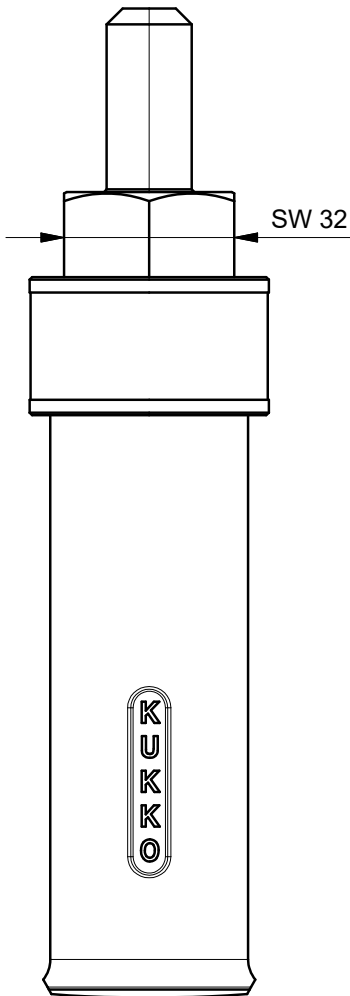
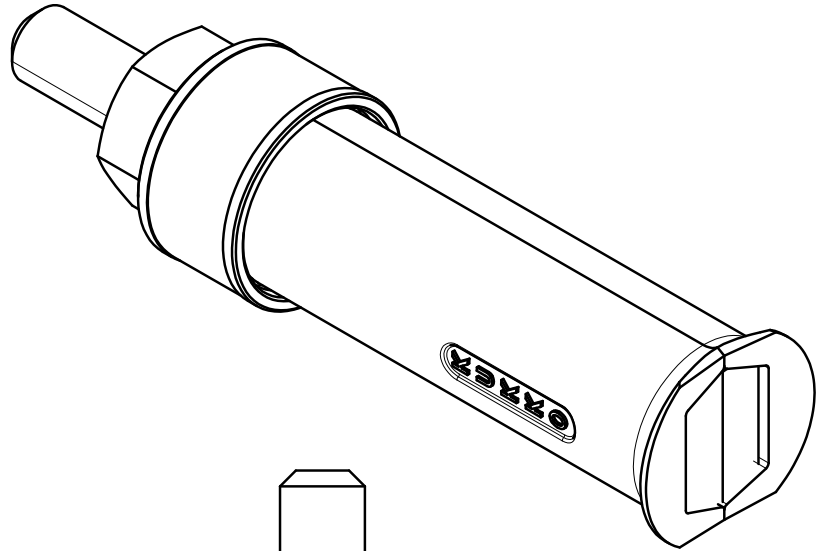
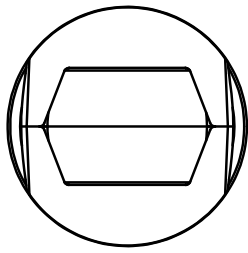


## Spare part of

<b>Art. No.</b>	<b>Product name</b>
24-B	Set of bearing pulling and extracting tools
24-C	Set of bearing pulling and extracting tools
25-B	Set of bearing extracting tools
25-C	Set of bearing extracting tools

## Also included in

<b>Art. No.</b>	<b>Product name</b>
WT-018	Puller product range - interior pulling - TOP



 <b>Kleinbongartz &amp; Kaiser oHG</b> Werkzeugfabrik Hilden - Germany	Dokumentname: 21-7 Innenauszieher	Toleranz: DIN ISO 2768-m
	Dokumentbeschreibung: ZSB	Material: Hochfester extra zäher Vergütungsstahl/ High tensile strength and toughness steel
Erstellt / Geprüft von: Schultes	Erstellungsdatum: 05/06/2015	Maßstab: 1:1
Teilbeschreibung: Innenauszieher/ Internal extractor		Wärmebehandlung / Härte: vergüteter Stahl/ tempered steel
		Oberflächenbehandlung:
Artikelnummer / ZNR.: 21-7	Dokumentversion: -	Schutzvermerk ISO 16016 beachten