



Product name

## Counterstay

For use with series 21 and series 21-E. Series 22-1-AS only for 22-1 and 22-2.

Art. No. 22-4

Series 22

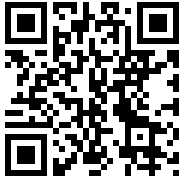
EAN 4021176112478



	Technical attribute	Metric	Imperial
	Spread counter support	200 mm	
	Counterstay reach	205 mm	
	Support surface	75 x 37 mm	
max.	Maximum load	7 t	7.5 US t
	Weight	4.01 kg	



has to be accomplished with



**3-shell internal extractor**

21-89

## Technologies



### **EASY SCREW**

The built-in thrust bearing facilitates rotation through reduced frictional resistance.



## Spare part

<b>Art. No.</b>	<b>Product name</b>
22-4-T	Cross-beam
022406	Spindle
022401	Jaws, individual

## Goes with

<b>Art. No.</b>	<b>Product name</b>
21-89	3-shell internal extractor

## Part of

<b>Art. No.</b>	<b>Product name</b>
WT-030	Puller product range - automotive - axle
24-C	Set of bearing pulling and extracting tools
25-C	Set of bearing extracting tools
25-D	Set of bearing extracting tools



## Spare part of

**Art. No.**

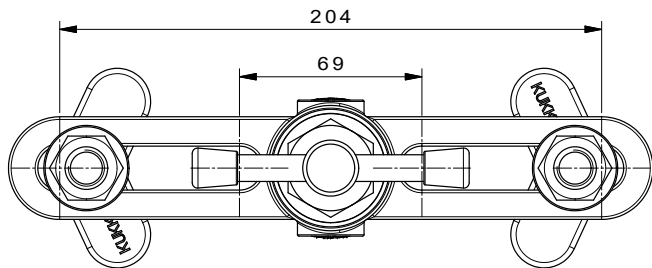
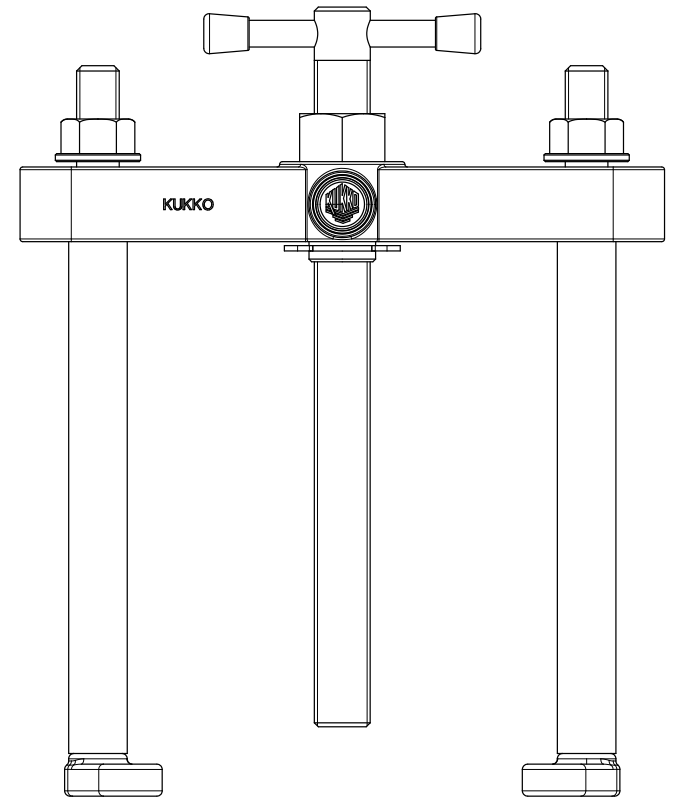
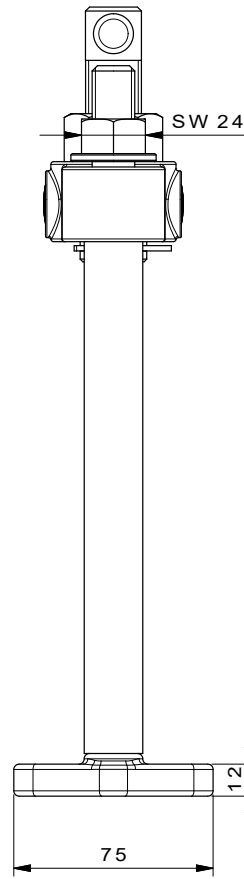
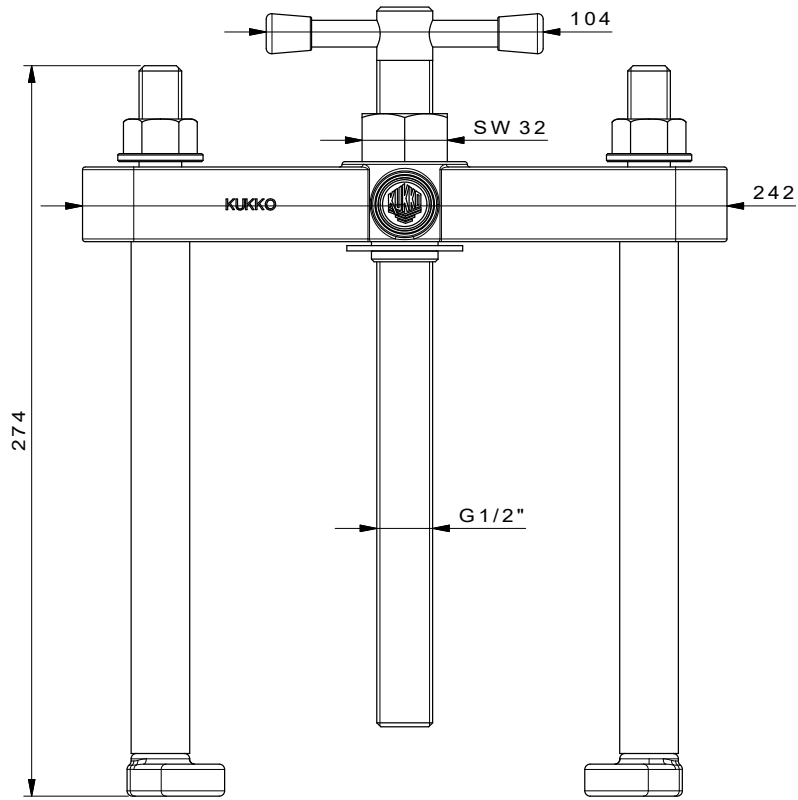
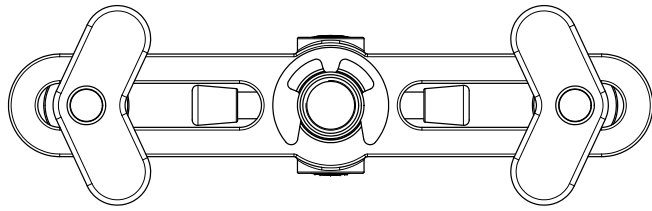
**Product name**

24-C

Set of bearing pulling and extracting tools

25-C

Set of bearing extracting tools



 <b>Kleinbongartz &amp; Kaiser oHG</b> Werkzeugfabrik Hilden - Germany	Dokumentnr.: 22-4_Gegenstütze	Toleranz: DIN ISO 2768-m
	Dokumentbeschreibung: Baugruppe	Material: Hoch legierter Werkzeugstahl / High alloy tool steel
Erweit. / Geprüft von: Schultes	Erstellungsdatum: 30/03/2015	Maßstab: 1:1
Teilbestriebung: Gegenstütze/ Counterstay	Wärmebehandlung / Härte: -	Oberflächenbehandlung: -
Artikelnummer / ZNR: 22-4	Dokumentversion: -	Schutzvermerk: ISO 16949 zertifiziert