



Product name

## Counterstay

For use with series 21 and series 21-E. Series 22-1-AS only for 22-1 and 22-2.

Art. No. 22-5

Series 22

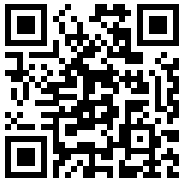
EAN 4021176012556



	Technical attribute	Metric	Imperial
	Spread counter support	300 mm	
	Counterstay reach	260 mm	
	Support surface	75 x 37 mm	
max.	Maximum load	9 t	9.5 US t
	Weight	7.76 kg	



has to be accomplished with



**3-shell internal extractor**

21-90

## Technologies



### **EASY SCREW**

The built-in thrust bearing facilitates rotation through reduced frictional resistance.

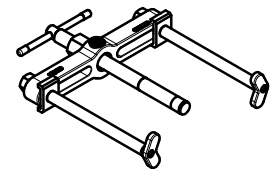
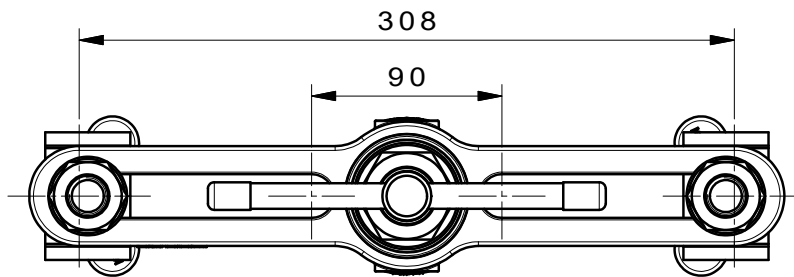
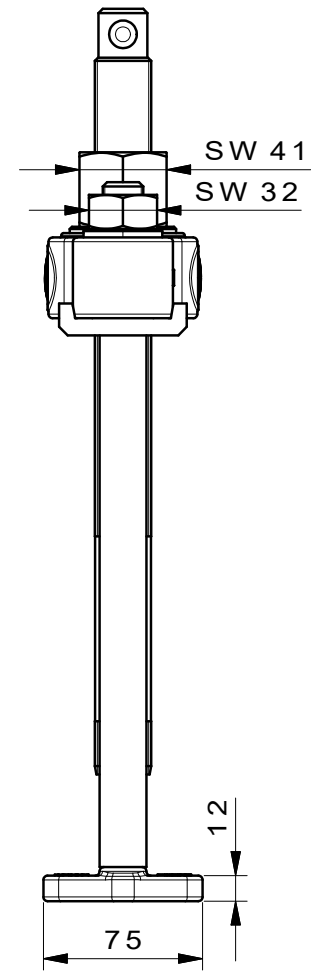
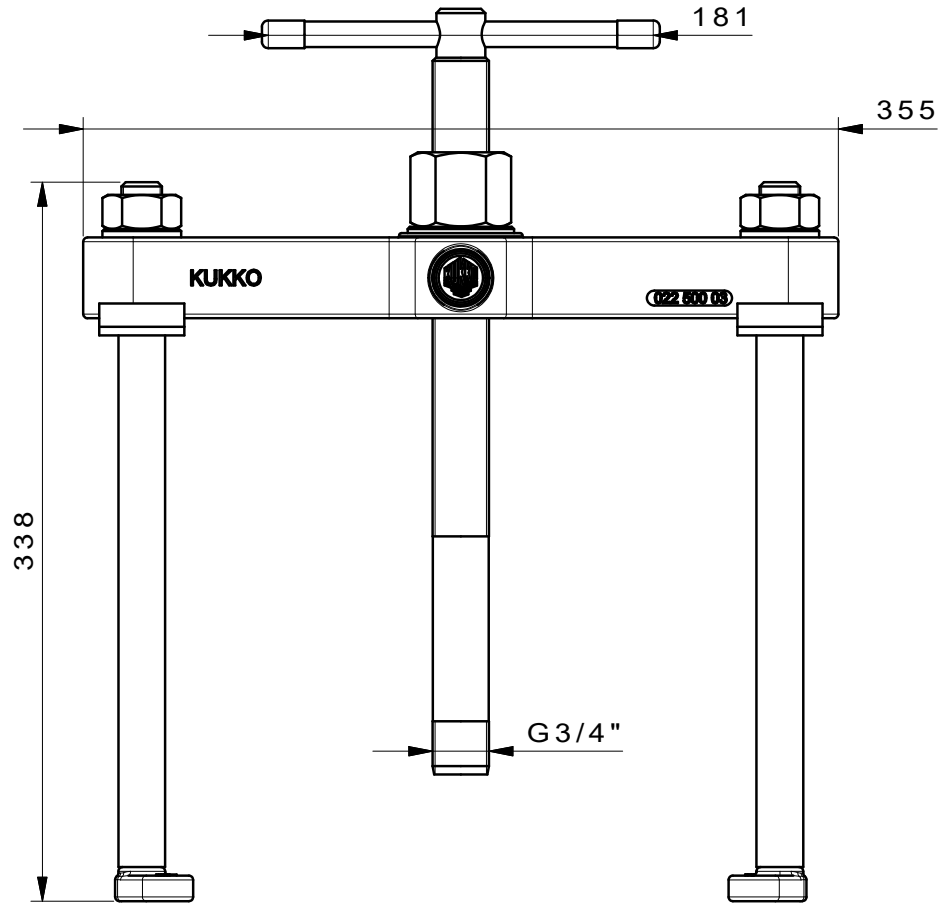



## Spare part

<b>Art. No.</b>	<b>Product name</b>
22-5-T	Cross-beam
022506	Spindle
022501	Jaws, individual

## Goes with

<b>Art. No.</b>	<b>Product name</b>
21-90	3-shell internal extractor



 <b>Kleinbongartz &amp; Kaiser oHG</b> Werkzeugfabrik Hilden - Germany	Dokumentname: 22-5_Gegenstütze		Toleranz: DIN ISO 2768-m
	Dokumentbeschreibung: Baugruppe		Material: Hoch legierter Werkzeugstahl / High alloy tool steel
Erstellt von: k.breidenbach	Erstellungsdatum: 12/07/2016	Maßstab: 1:2.5	
Teilbeschreibung: Gegenstütze/ Counterstay			Vergütung: -
			Oberflächenbehandlung.:
Teil Nr.: 22-5		Schutzvermerk ISO 16016 beachten	