



Product name

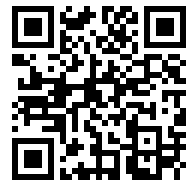
Extractor with self-centering jaws

For removing bearings, gears, discs, etc.

Art. No. 225-3

Series 225

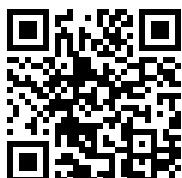
EAN 4021176123429



| | Technical attribute | Metric | Imperial |
|--|---------------------|------------|--------------------|
| | Spread | 70 - 90 mm | 2 3/4 - 3 1/2 inch |
| | Length of jaw | 30 mm | 1 3/16 inch |
| | Weight | 1.22 kg | |
| | Space below | 4 mm | 3/16 inch |
| | Space next to it | 14 mm | 5/8 inch |
| | Depth | 55 mm | 2 3/16 inch |

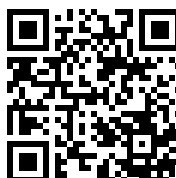


has to be accomplished with



Slide hammer device

22-0-1



Counterstay

22-2

Technologies



AUTOGRIP

The jaws clamp and center automatically.



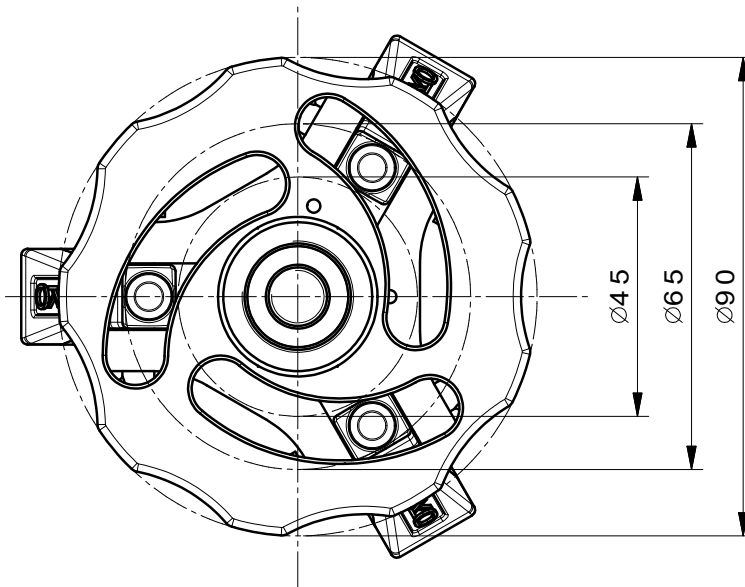
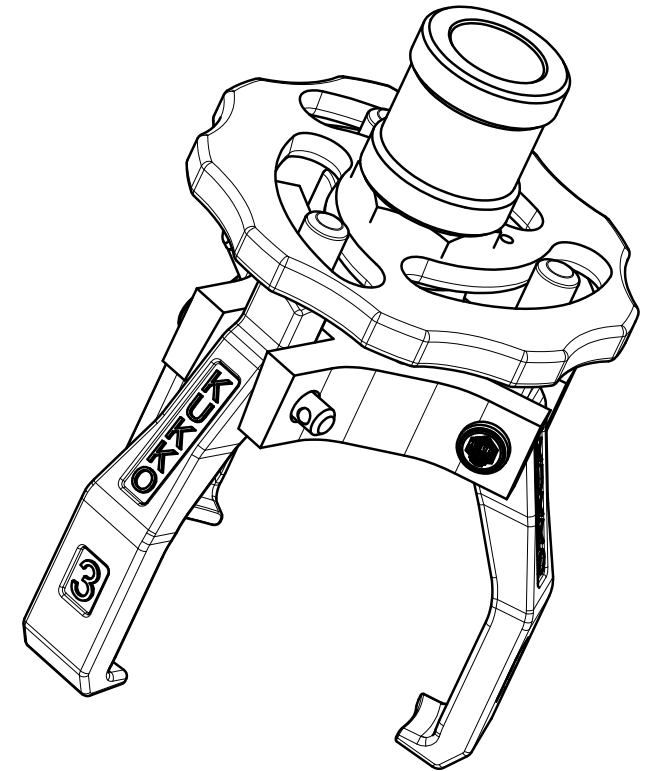
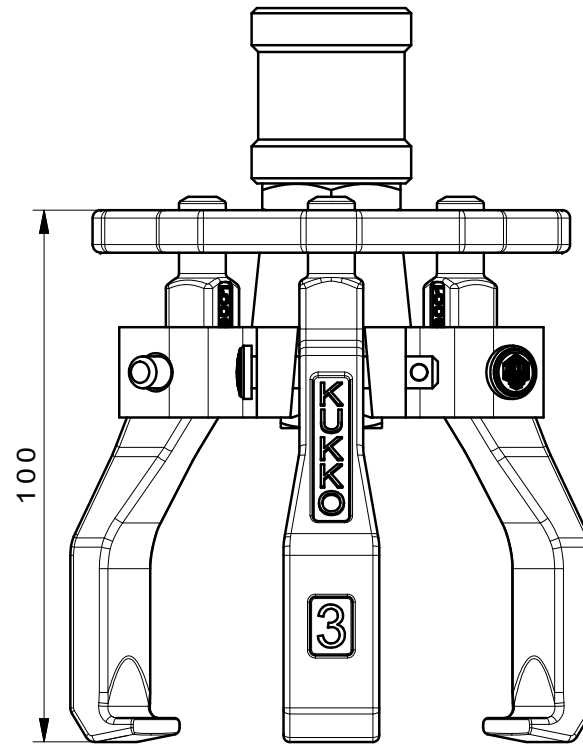
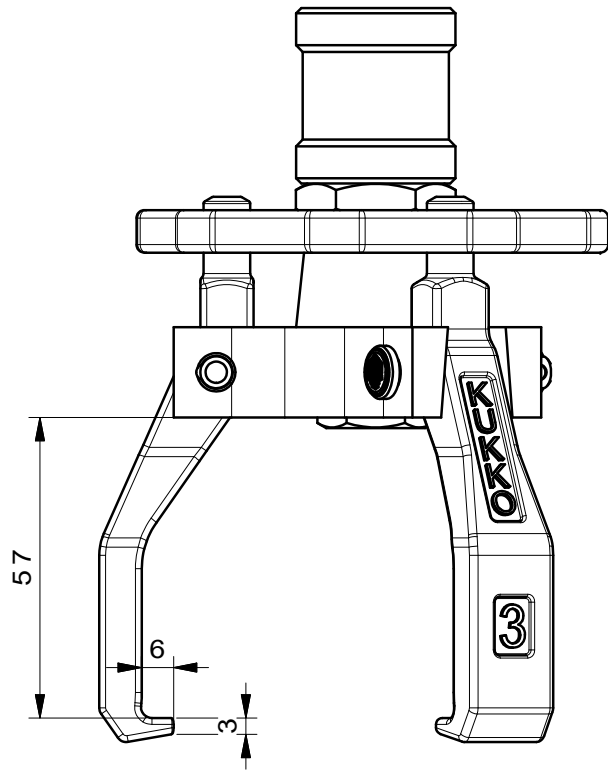
Part of

Art. No.

Product name

K-225-1-C

Set of 3-jaw puller with self-centering jaws



| | | |
|--|--|---|
|  Kleinbongartz & Kaiser oHG Werkzeugfabrik Hilden - Germany | Dokumentname: 225-3 Staub- und Fettkappenabzieher | Toleranz: DIN ISO 2768-m |
| | Dokumentbeschreibung: Baugruppe | Material: Hoch legierter Werkzeugstahl / High alloy tool steel |
| | Erstellt von: Schultes | Erstellungsdatum: 13/04/2016 |
| Teilbeschreibung: Staub- und Fettkappenabzieher/ Extractor with self-centering jaws | | Wärmebehandlung / Härte: vergüteter Stahl/ tempered steel |
| | | Oberflächenbehandlung: |
| Artikelnummer / ZNR.: 225-3 | Dokumentversion: - | Schutzvermerk ISO 16016 beachten |