



Product name

Universal 3-jaw puller with narrow jaws

For removing bearings, gears, discs, etc. for tight or difficult-to-access spaces.

Art. No. 30-10-S

Series 30-S

EAN 4021176728198



	Technical attribute	Metric	Imperial
	Spread	27 - 130 mm	1 1/16 - 5 1/8 inch
	Depth	100 mm	3 7/8 inch
	Spread used internal	70 - 180 mm	2 3/4 - 7 1/8 inch
	Hexagon drive (male)	17 mm	
	Maximum load	3 t	3 US t
	Maximum torque	40 Nm	29.5 ft lb
	Weight	1.52 kg	
	Space below	2,6 mm	1/8 inch
	Space next to it	14 mm	5/8 inch
	Number of jaws	3	3

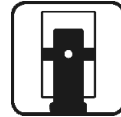


Technologies



GLIDE & FIX

The improved geometry guarantees quick and easy movement of the jaws on the cross-beam.



ARMLOCK

The cross-legged jaws guarantee maximum stability for suspending the jaws in the slider.



SWITCH

A two-sided spindle tip provides optimal adjustment of the spindle to the shaft.



Spare part

Art. No.	Product name
614135	Mechanical pressure spindle.
1-91-S	3 narrow jaws (set)
30-10-T	Cross-beam

Accessories

Art. No.	Product name
1-91-S	3 narrow jaws (set)
1-191-S	3 narrow jaws (set)
1-251-S	3 narrow jaws (set)
1-401-S	3 narrow jaws (set)
1-94-S	3 extremely narrow jaws (set)
1-194-S	3 extremely narrow jaws (set)
1-254-S	3 extremely narrow jaws (set)
1-V-100-S	3 jaw extensions (set)
1-V-150-S	3 jaw extensions (set)
K-600-014	Set of interchangeable pressure pads for KUKKO pressure screws



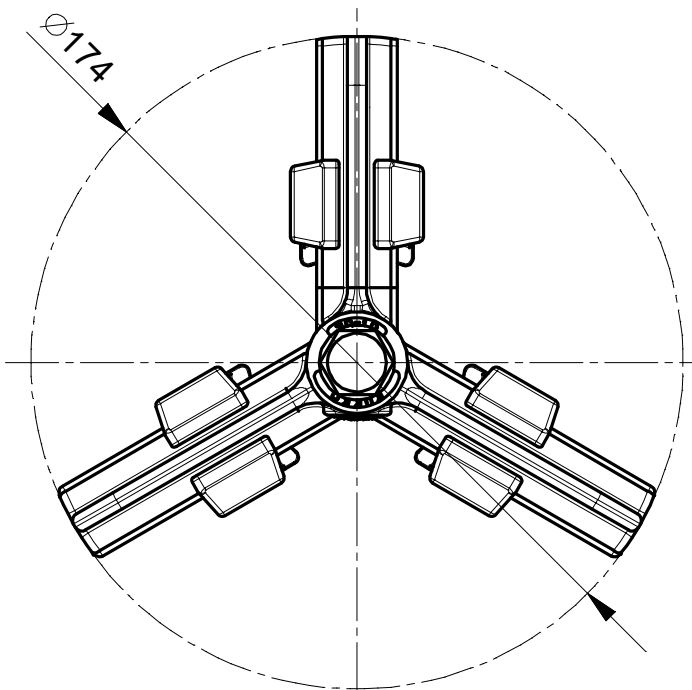
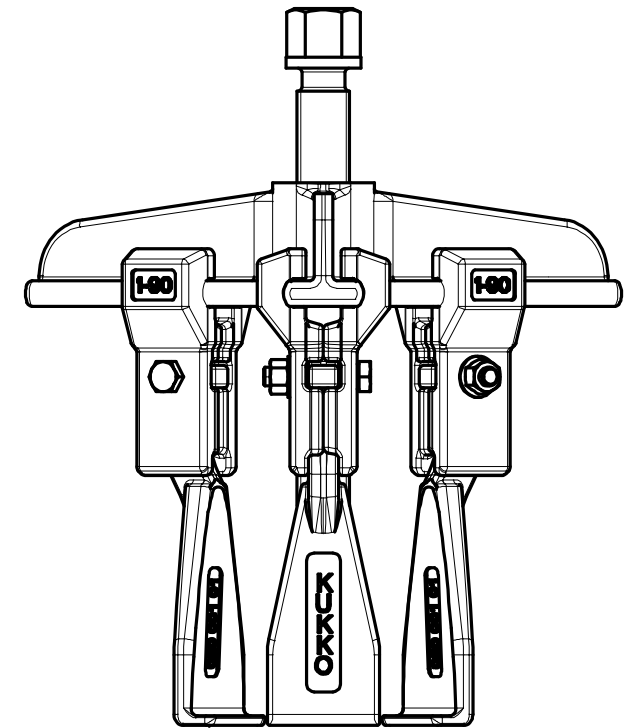
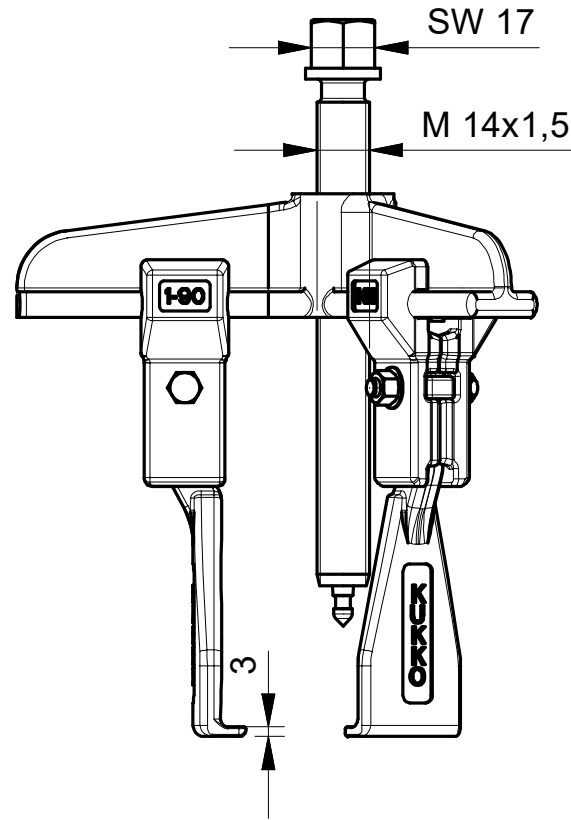
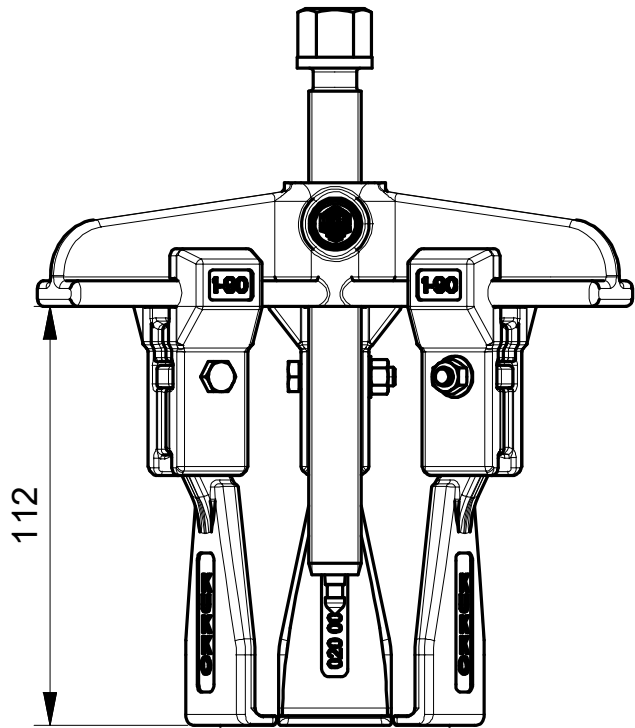
Also included in

Art. No.

Product name

K-2030-10-S

Set of two- and three-arm pullers with narrow jaws



 <p>Kleinbongartz & Kaiser oHG Werkzeugfabrik Hilden - Germany</p>	Dokumentname: 30-10-S_Universal Abzieher		Toleranz: DIN ISO 2768-m	
	Dokumentbeschreibung: Baugruppe		Material: Hoch legierter Werkzeugstahl / High alloy tool steel	
	Erstellt von: Breidenbach	Erstellungsdatum: 02/05/2018	Maßstab: 1:2	
Teilbeschreibung: Universal Abzieher schmale Abzugshaken/ Universal 3-jaw puller with narrow jaws			Wärmebehandlung / Härte: vergüteter Stahl/ tempered steel	
Oberflächenbehandlung:			Schutzvermerk ISO 16016 beachten	
Artikelnummer / ZNR.: 30-10-S		Dokumentversion: -		