



Product name

Universal 2-jaw puller with self-centering jaws

For removing bearings, gears, discs, etc.

Art. No. 44-2

Series 44

EAN 4021176016103



	Technical attribute	Metric	Imperial
	Spread	18 - 120 mm	3/4 - 4 3/4 inch
	Depth	120 mm	4 3/4 inch
	Hexagon drive (male)	17 mm	
	Maximum load	5 t	5.5 US t
	Maximum torque	85 Nm	65.5 ft lb
	Weight	1.29 kg	
	Space below	10 mm	3/8 inch
	Space next to it	30 mm	1 3/16 inch
	Number of jaws	2	2



Technologies



SWITCH

A two-sided spindle tip provides optimal adjustment of the spindle to the shaft.



AUTOGRIP

The jaws clamp and center automatically.



Spare part

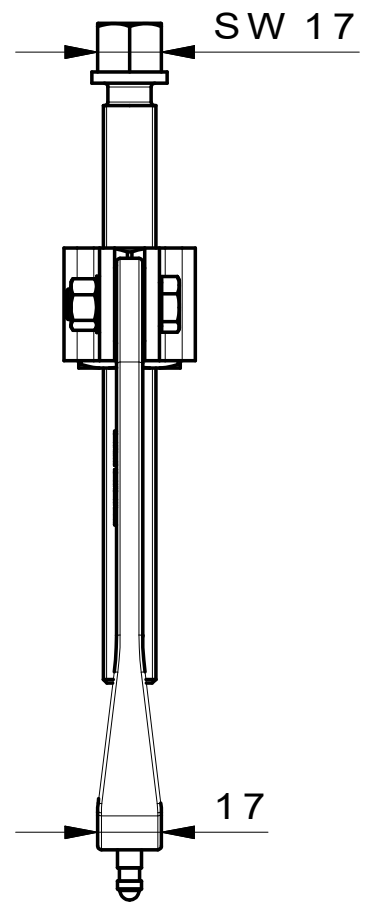
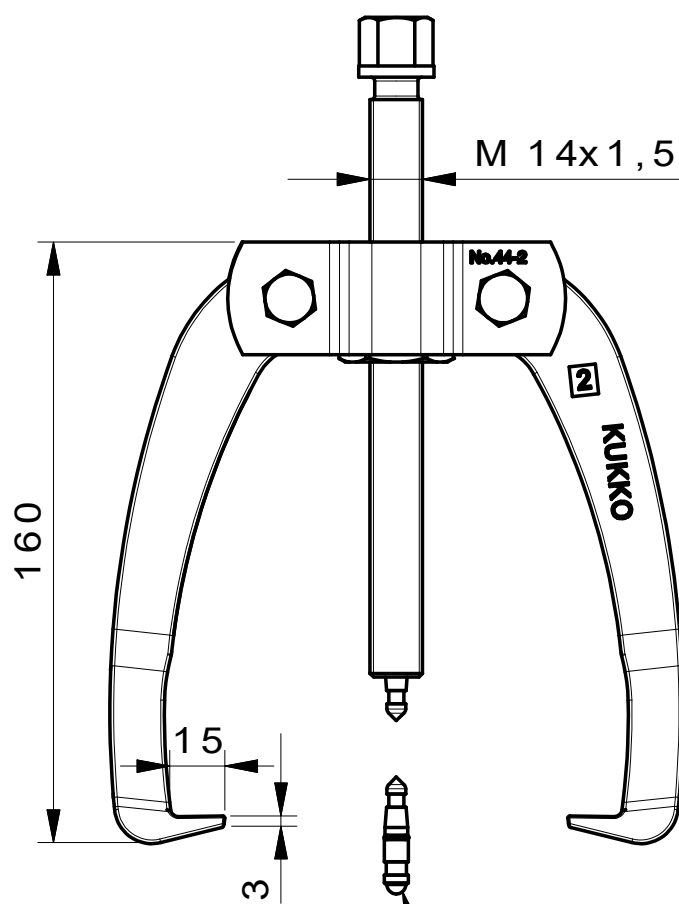
Art. No.	Product name
44-2-T	Cross-beam
44-2-120-P	2 pulling jaws (pair)
44-2-206	Cross-beam internal bushing, with spindle

Accessories

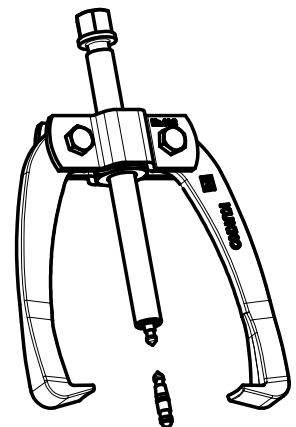
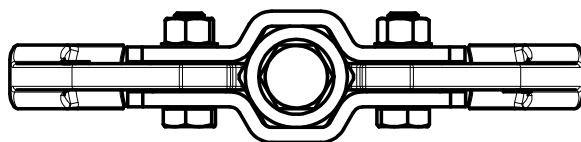
Art. No.	Product name
K-600-014	Set of interchangeable pressure pads for KUKKO pressure screws

Part of

Art. No.	Product name
EVLW-INDUSTRIE BASIC	Display



Mit Wechseldruckstück



**Kleinbongartz
& Kaiser
oHG**
Werkzeugfabrik
Hilden - Germany

Dokumentname:
44-2_2-armiger Universal Abzieher

Toleranz:
DIN ISO 2768-m

Dokumentbeschreibung:
Baugruppe

Material:
Hoch legierter Werkzeugstahl /
High alloy tool steel

Erstellt von:
Breidenbach

Erstellungsdatum:
03/03/2016

Maßstab:
1:2

Teilbeschreibung:

2-armiger Universal Abzieher/
Universal 2-jaw puller with self-centering jaws

Wärmebehandlung / Härte:
vergüteter Stahl/ tempered steel

Oberflächenbehandlung:

Artikelnummer / ZNR.:
44-2

Dokumentversion:
-

Schutzvermerk
ISO 16016
beachten