



Product name

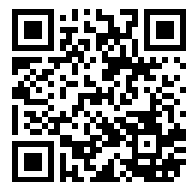
Universal 2-jaw puller with self-centering jaws

For removing bearings, gears, discs, etc.

Art. No. 44-4

Series 44

EAN 4021176016363



	Technical attribute	Metric	Imperial
	Spread	23 - 250 mm	7/8 - 9 7/8 inch
	Depth	200 mm	7 7/8 inch
	Hexagon drive (male)	24 mm	
	max. Maximum load	7 t	7.5 US t
	max. Maximum torque	190 Nm	140 ft lb
	Weight	3.28 kg	
	Space below	12 mm	1/2 inch
	Space next to it	17 mm	3/4 inch
	Number of jaws	2	2



Technologies



SWITCH

A two-sided spindle tip provides optimal adjustment of the spindle to the shaft.



AUTOGRIP

The jaws clamp and center automatically.

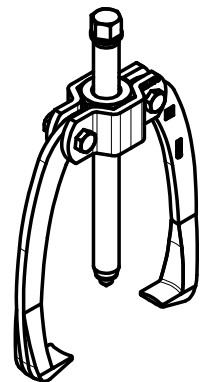
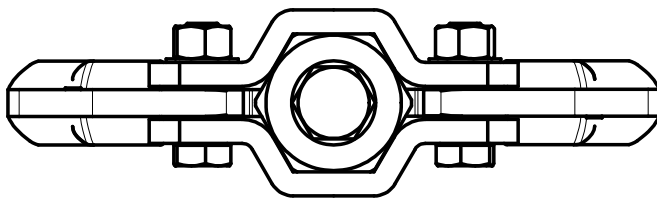
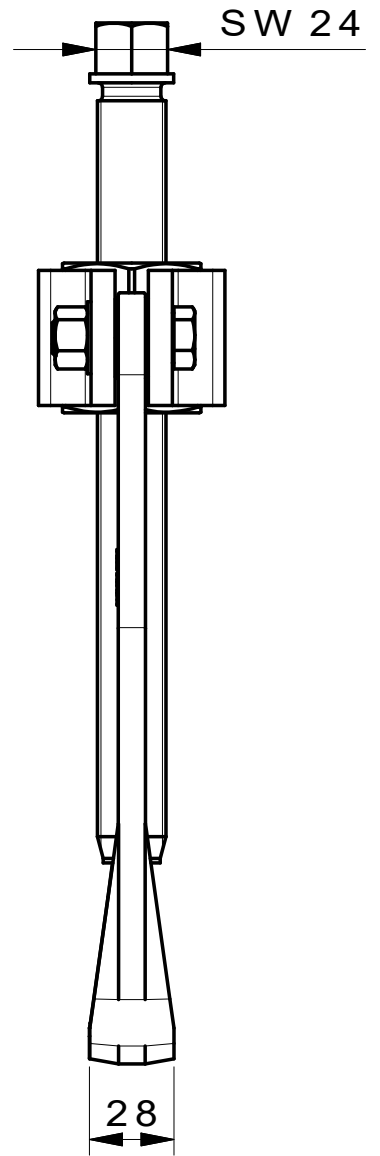
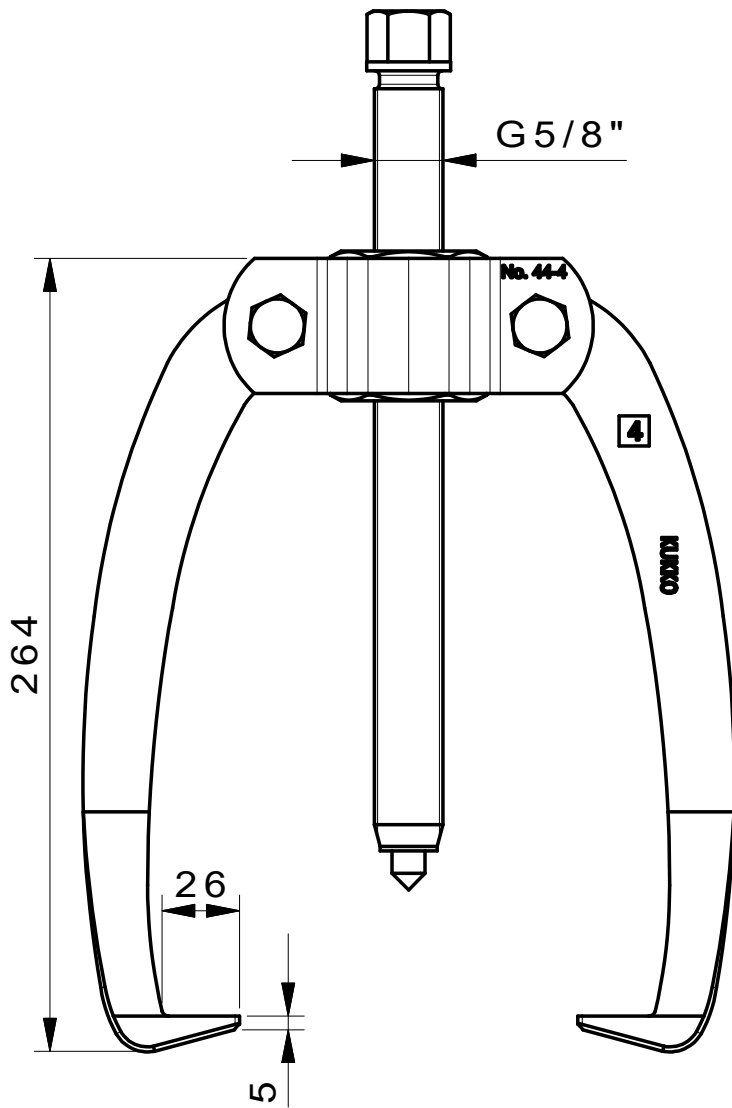


Spare part

Art. No.	Product name
44-4-T	Cross-beam
44-4-200-P	2 pulling jaws (pair)
44-4-206	Cross-beam internal bushing, with spindle
623260	Mechanical pressure spindle.

Accessories

Art. No.	Product name
K-600-025	Set of interchangeable pressure pads for KUKKO pressure screws



**Kleinbongartz
& Kaiser
oHG
Werkzeugfabrik
Hilden - Germany**

Dokumentname:
44-4_2-armiger Universal Abzieher

Toleranz:
DIN ISO 2768-m

Dokumentbeschreibung:
Baugruppe

Material:
Hoch legierter Werkzeugstahl /
High alloy tool steel

Erstellt von:
K. Breidenbach

Erstellungsdatum:
08/04/2016

Maßstab:
1:2.5

Teilbeschreibung:

2-armiger Universal Abzieher mit selbstzentrierenden Abzughaken/
Universal 2-jaw puller with self-centering jaws

Vergütung:
vergüteter Stahl/ tempered steel

Oberflächenbehandlung:.

Teil Nr.:
44-4

Schutzvermerk
ISO 16016
beachten