



Product name

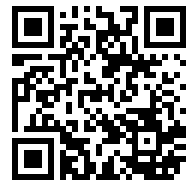
Universal 3-jaw puller with self-centering jaws

For removing bearings, gears, discs, etc.

Art. No. 45-3

Series 45

EAN 4021176016691



	Technical attribute	Metric	Imperial
	Spread	23 - 160 mm	7/8 - 6 3/8 inch
	Depth	160 mm	6 3/8 inch
	Hexagon drive (male)	19 mm	
	max. Maximum load	8 t	8.5 US t
	max. Maximum torque	180 Nm	132.5 ft lb
	Weight	2.45 kg	
	Space below	12 mm	1/2 inch
	Space next to it	32 mm	1 1/4 inch
	Number of jaws	3	3

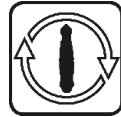


Technologies



AUTOGRIP

The jaws clamp and center automatically.



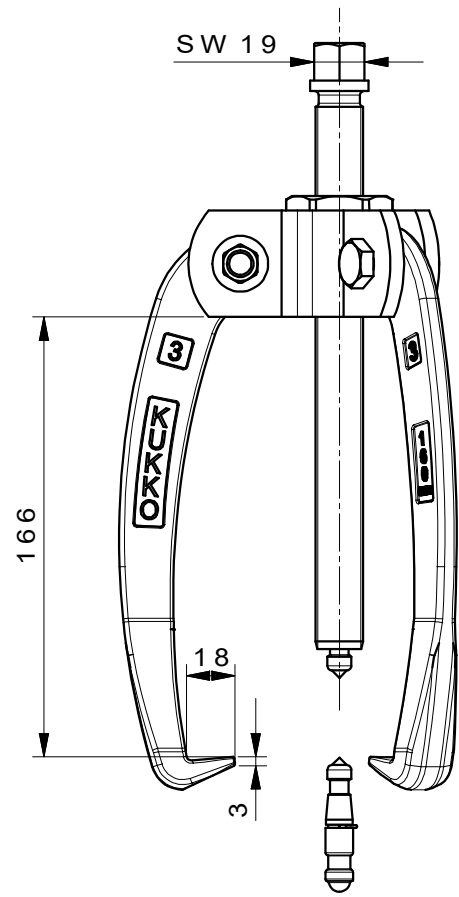
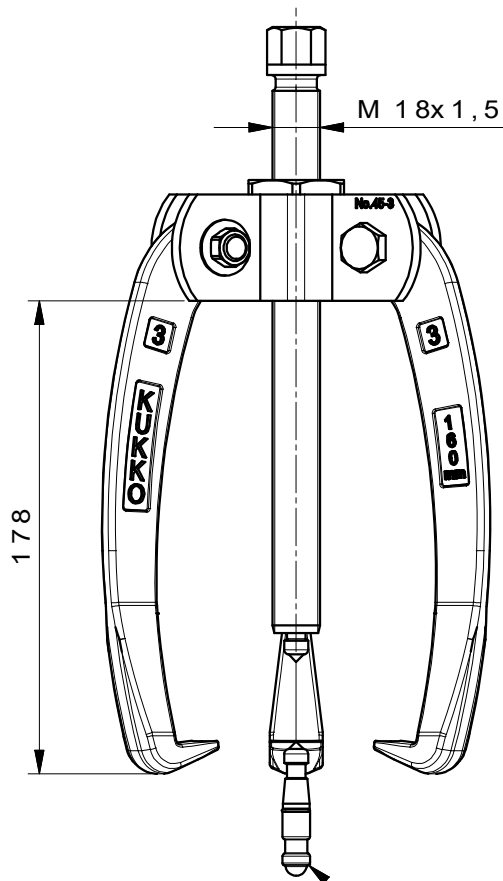
SWITCH

A two-sided spindle tip provides optimal adjustment of the spindle to the shaft.

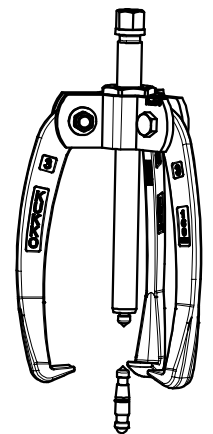
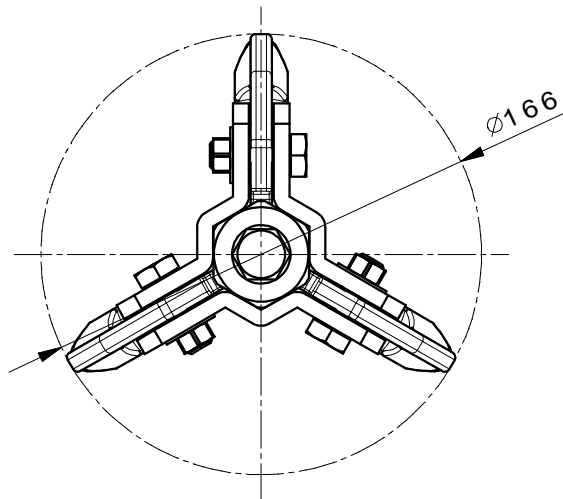


Spare part

Art. No.	Product name
45-3-T	Cross-beam
45-3-160-S	3 pulling arms (set)
44-3-206	Cross-beam internal bushing, with spindle
618210	Mechanical pressure spindle.



Mit Wechseldruckstück



 Kleinbongartz & Kaiser oHG Werkzeugfabrik Hilden - Germany	Dokumentname: 45-2_3-armiger Universal Abzieher		Toleranz: DIN ISO 2768-m	
	Dokumentbeschreibung: Baugruppe		Material: -	
	Erstellt von: Breidenbach	Erstellungsdatum: 13.03.2019	Maßstab: 1:2	
Teilbeschreibung: 3-armiger Universal Abzieher / Universal 2-jaw puller with self-centering jaws			Wärmebehandlung / Härte: vergüteter Stahl/ tempered steel	
			Oberflächenbehandlung:	
Artikelnummer / ZNR.: 45-3	Dokumentversion: -	Schutzvermerk ISO 16016 beachten		