



Product name

Long hydraulic spindle


For pulling particularly tight bearings, gears, discs, etc.

Art. No. 8-01

Series 8-0

EAN 4021176887871



	Technical attribute	Metric	Imperial
	Stroke	10 mm	3/8 inch
	Thread	G 1/2"	G 1/2"
max.	Maximum load	11 t	11 US t
	Weight	1.46 kg	



Technologies



HYDRAULIC

Pullers with hydraulic function.



Spare part

Art. No.	Product name
8-01-176	Bolt with screw and safety pin
8-01ERS	Wearing parts kit for 8-01

Part of

Art. No.	Product name
WT-008	Puller product range - commercial vehicles - BASIC
20-2+B	Universal 2-jaw puller with long hydraulic spindle and quick adjusting jaws(including mechanical pressure screw)
20-20+B	Universal 2-jaw puller with long hydraulic spindle and quick adjusting jaws(including mechanical pressure screw)
30-2+B	Universal 3-jaw puller with long hydraulic spindle and quick adjusting jaws(including mechanical pressure screw)
30-20+B	Universal 3-jaw puller with long hydraulic spindle and quick adjusting jaws(including mechanical pressure screw)
30-2-3-B	Universal 3-jaw puller with long hydraulic spindle and extended jaws(including mechanical pressure screw)
30-2-B	Universal 3-jaw puller with long hydraulic spindle(including mechanical pressure screw)
30-20-B	Universal 3-jaw puller with long hydraulic spindle(including mechanical pressure screw)
30-20-3-B	Universal 3-jaw puller with long hydraulic spindle and extended jaws(including mechanical pressure screw)
K-20-15	Universal puller set with separator
41-5-B	Universal 2-jaw puller with long hydraulic spindle



Part of

Art. No.	Product name
K-2030-20-B	Universal hydraulic 2-jaw and 3-jaw puller set
K-2030-20+S+B	2- and 3-jaw puller set with two different pulling hooks types
EVLW-2-INDUSTRIE	Display
K-20-1-2+B	Universal 2-arm puller set with quick adjustment, hydraulic spindle and extensions

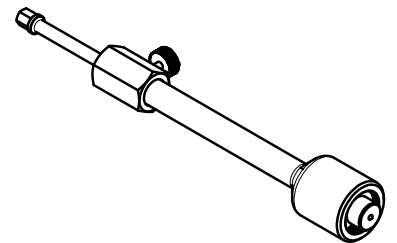
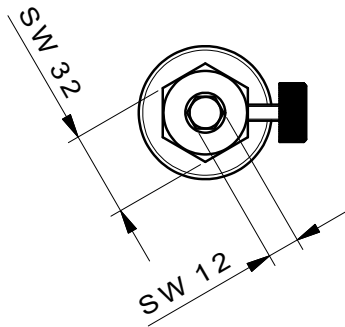
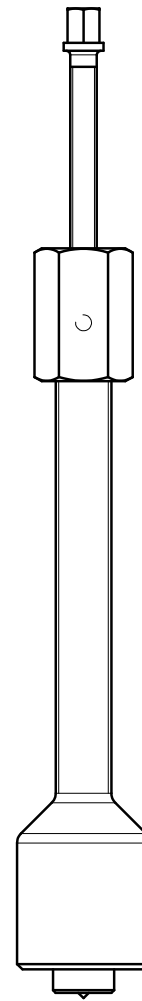
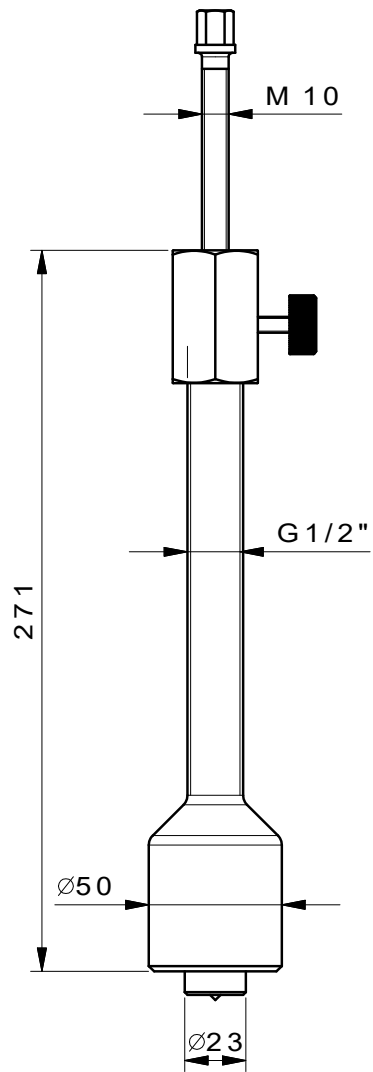
Spare part of

Art. No.	Product name
18-2-B	Hydraulic pulling device(including mechanical pressure screw)
20-2-B	Universal 2-jaw puller with long hydraulic spindle
20-20-B	Universal 2-jaw puller with long hydraulic spindle
20-20-3-B	Universal 2-jaw puller with long hydraulic spindle and extended jaws(including mechanical pressure screw)
20-2-3-B	Universal 2-jaw puller with long hydraulic spindle and extended jaws(including mechanical pressure screw)
20-2+B	Universal 2-jaw puller with long hydraulic spindle and quick adjusting jaws(including mechanical pressure screw)
20-20+B	Universal 2-jaw puller with long hydraulic spindle and quick adjusting jaws(including mechanical pressure screw)
30-2-B	Universal 3-jaw puller with long hydraulic spindle(including mechanical pressure screw)
30-2-3-B	Universal 3-jaw puller with long hydraulic spindle and extended jaws(including mechanical pressure screw)



Spare part of

Art. No.	Product name
30-2+B	Universal 3-jaw puller with long hydraulic spindle and quick adjusting jaws(including mechanical pressure screw)
30-20+B	Universal 3-jaw puller with long hydraulic spindle and quick adjusting jaws(including mechanical pressure screw)
205-02-B	Universal 2-jaw puller with adjustable reach, long hydraulic spindle and swiveling jaws(including mechanical pressure screw)
206-02-B	Universal 3-jaw puller with adjustable reach, long hydraulic spindle and swiveling jaws(including mechanical pressure screw)
207-02-B	3-jaw combination puller with adjustable reach, long hydraulic spindle and swiveling jaws(including mechanical pressure screw)
K-20-15	Universal puller set with separator
41-5-B	Universal 2-jaw puller with long hydraulic spindle
42-5-B	3-jaw puller with long hydraulic spindle(including mechanical pressure screw)
K-2030-20-B	Universal hydraulic 2-jaw and 3-jaw puller set



 Kleinbongartz & Kaiser oHG Werkzeugfabrik Hilden - Germany	Dokumentname: 8-01_Lange Hydraulikspindel		Toleranz: DIN ISO 2768-m	
	Dokumentbeschreibung: Baugruppe		Material: Vergütungsstahl/ heat treatable steel	
Erstellt von: Breidenbach		Erstellungsdatum: 24/08/2017		Maßstab: 1:2
Teilbeschreibung: Lange Hydraulikspindel/ Long hydraulic spindle			Wärmebehandlung / Härte:	
			Oberflächenbehandlung:	
Artikelnummer / ZNR.: 8-01		Dokumentversion: -		Schutzvermerk ISO 16016 beachten