



Product name

Long hydraulic spindle

For pulling particularly tight bearings, gears, discs, etc.

Art. No. 8-02

Series 8-0

EAN 4021176887901



	Technical attribute	Metric	Imperial
	Stroke	12 mm	3/16 inch
	Thread	G 3/4"	G 3/4"
max.	Maximum load	13 t	13 US t
	Weight	1.94 kg	



Technologies



HYDRAULIC

Pullers with hydraulic function.



Spare part

Art. No.	Product name
8-02ERS	Wear parts set for 8-02
8-02-176	Bolt with screw and safety pin

Part of

Art. No.	Product name
WT-010	Puller product range - commercial vehicles - TOP
20-3+B	Universal 2-jaw puller with long hydraulic spindle and quick adjusting jaws(including mechanical pressure screw)
20-30+B	Universal 2-jaw puller with long hydraulic spindle and quick adjusting jaws(including mechanical pressure screw)
30-3-B	Universal 3-jaw puller with long hydraulic spindle(including mechanical pressure screw)
30-30-B	Universal 3-jaw puller with long hydraulic spindle(including mechanical pressure screw)
30-3-3-B	Universal 3-jaw puller with long hydraulic spindle and extended jaws(including mechanical pressure screw)
30-3-4-B	Universal 3-jaw puller with long hydraulic spindle and extended jaws(including mechanical pressure screw)
30-3+B	Universal 3-jaw puller with long hydraulic spindle and quick adjusting jaws(including mechanical pressure screw)



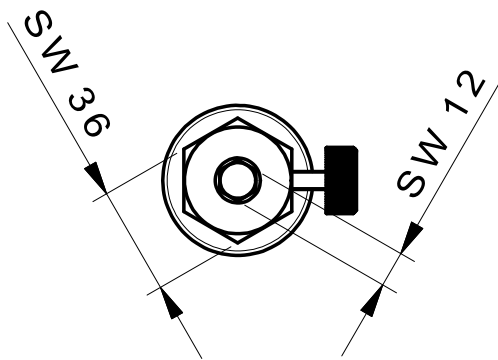
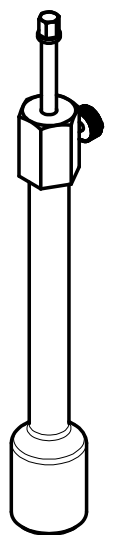
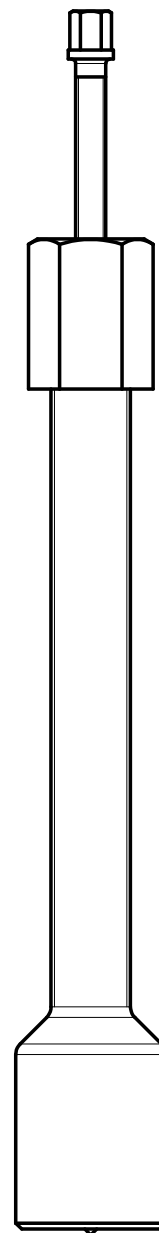
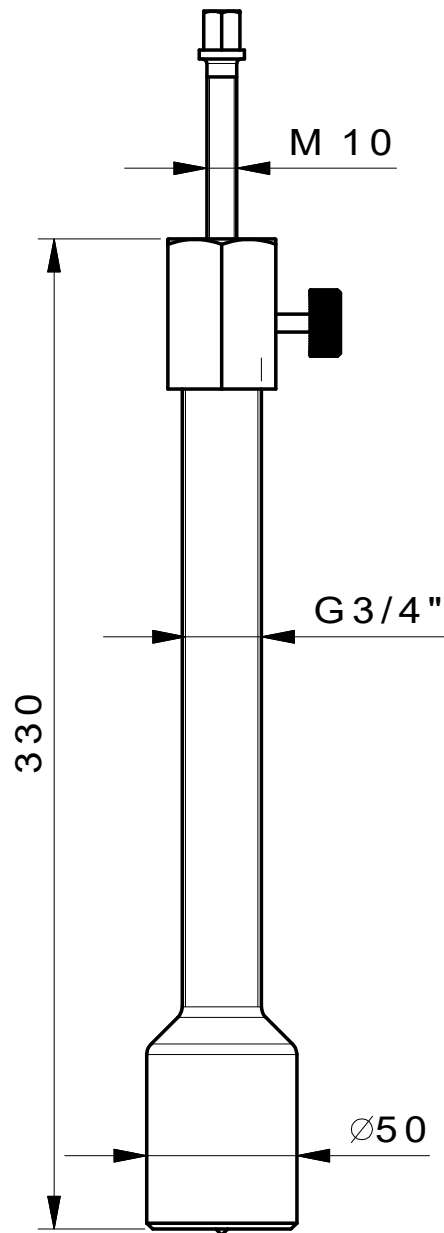
Spare part of

Art. No.	Product name
208-2-B	Universal 2-jaw "economy" puller with adjustable reach, long hydraulic spindle and swiveling jaws
18-3-B	Hydraulic pulling device(including mechanical pressure screw)
20-3-B	Universal 2-jaw puller with long hydraulic spindle
20-30-B	Universal 2-jaw puller with long hydraulic spindle
20-3-3-B	Universal 2-jaw puller with long hydraulic spindle and extended jaws(including mechanical pressure screw)
20-3-4-B	Universal 2-jaw puller with long hydraulic spindle and extended jaws(including mechanical pressure screw)
20-3-5-B	Universal 2-jaw puller with long hydraulic spindle and extended jaws(including mechanical pressure screw)
20-30-3-B	Universal 2-jaw puller with long hydraulic spindle and extended jaws(including mechanical pressure screw)
20-30-4-B	Universal 2-jaw puller with long hydraulic spindle and extended jaws(including mechanical pressure screw)
20-30-5-B	Universal 2-jaw puller with long hydraulic spindle and extended jaws(including mechanical pressure screw)
20-3+B	Universal 2-jaw puller with long hydraulic spindle and quick adjusting jaws(including mechanical pressure screw)
20-30+B	Universal 2-jaw puller with long hydraulic spindle and quick adjusting jaws(including mechanical pressure screw)
30-3-B	Universal 3-jaw puller with long hydraulic spindle(including mechanical pressure screw)
30-30-B	Universal 3-jaw puller with long hydraulic spindle(including mechanical pressure screw)
30-3-3-B	Universal 3-jaw puller with long hydraulic spindle and extended jaws(including mechanical pressure screw)



Spare part of

Art. No.	Product name
30-3-4-B	Universal 3-jaw puller with long hydraulic spindle and extended jaws(including mechanical pressure screw)
30-3-5-B	Universal 3-jaw puller with long hydraulic spindle and extended jaws(including mechanical pressure screw)
30-3+B	Universal 3-jaw puller with long hydraulic spindle and quick adjusting jaws(including mechanical pressure screw)
205-1-B	Universal 2-jaw puller with adjustable reach, long hydraulic spindle and swiveling jaws(including mechanical pressure screw)
205-2-B	Universal 2-jaw puller with adjustable reach, long hydraulic spindle and swiveling jaws(including mechanical pressure screw)
205-3-B	Universal 2-jaw puller with adjustable reach, long hydraulic spindle and swiveling jaws(including mechanical pressure screw)
206-1-B	Universal 3-jaw puller with adjustable reach, long hydraulic spindle and swiveling jaws(including mechanical pressure screw)
206-2-B	Universal 3-jaw puller with adjustable reach, long hydraulic spindle and swiveling jaws(including mechanical pressure screw)
206-3-B	Universal 3-jaw puller with adjustable reach, long hydraulic spindle and swiveling jaws(including mechanical pressure screw)
207-1-B	3-jaw combination puller with adjustable reach, long hydraulic spindle and swiveling jaws(including mechanical pressure screw)
207-2-B	3-jaw combination puller with adjustable reach, long hydraulic spindle and swiveling jaws(including mechanical pressure screw)
207-3-B	3-jaw combination puller with adjustable reach, long hydraulic spindle and swiveling jaws(including mechanical pressure screw)
30-30+B	Universal 3-jaw puller with long hydraulic spindle and quick adjusting jaws(including mechanical pressure screw)



**Kleinbongartz
& Kaiser
oHG
Werkzeugfabrik
Hilden - Germany**

Dokumentname:
8-02_Lange Hydraulikspindel

Toleranz:
DIN ISO 2768-m

Dokumentbeschreibung:
Baugruppe

Material:
Vergütungsstahl/
heat treatable steel

Erstellt von:
K.Breidenbach

Erstellungsdatum:
20/04/2016

Maßstab:
1:2.5

Teilbeschreibung:
Lange Hydraulikspindel / Long hydraulic spindle

Vergütung:

Oberflächenbehandlung.:

Teil Nr.:
8-02

Schutzvermerk
ISO 16016
beachten