



Product name

Long hydraulic spindle






For pulling particularly tight bearings, gears, discs, etc.

Art. No. 8-1-B

Series 8

EAN 4021176034596



	Technical attribute	Metric	Imperial
	Thread length of hydraulic spindle	250 mm	9 7/8 inch
	Thread	R1"	R1"
	Stroke	10 mm	3/8 inch
max.	Maximum load	15 t	16.5 US t
 max.	Maximum torque	45 Nm	33 ft lb
	Weight	7.655 kg	



Technologies



HYDRAULIC

Pullers with hydraulic function.



Spare part

Art. No.	Product name
8-1	Hydraulics for spindles
8-B	250 mm spindle insert for 8-1
8-1-ERS	Wearing parts set

Part of

Art. No.	Product name
20-40-H	Universal 2-jaw puller with adjustable reach and long hydraulic spindle(including mechanical pressure screw)
30-30-B	Universal 3-jaw puller with long hydraulic spindle(including mechanical pressure screw)

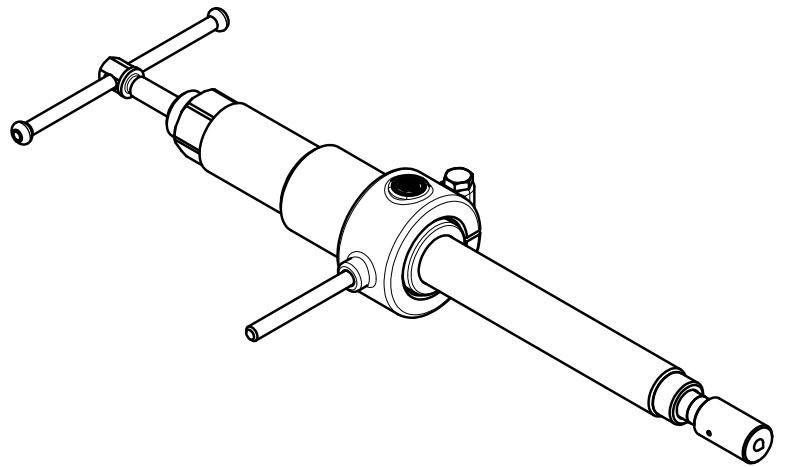
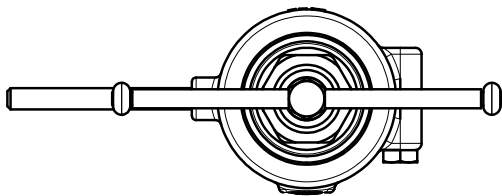
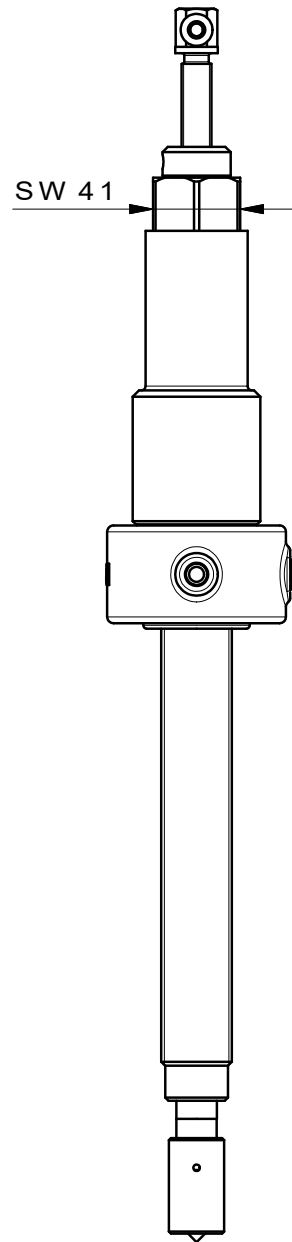
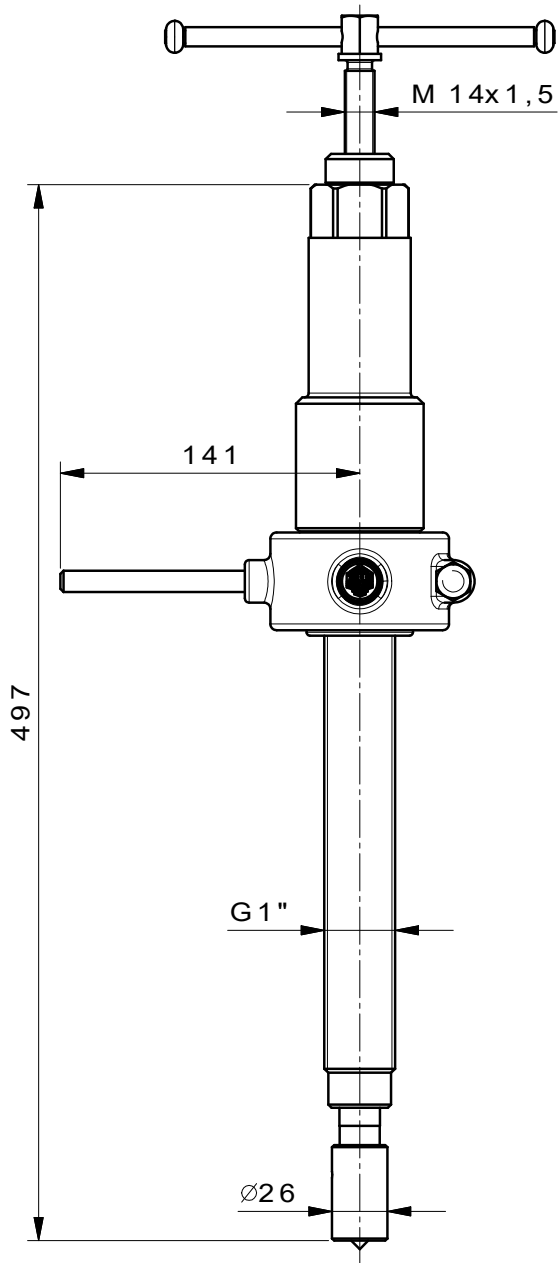
Spare part of

Art. No.	Product name
11-0-B	3-jaw puller with long hydraulic spindle, high performance is guaranteed
11-0-BV	3-jaw puller with adjustable reach and long hydraulic spindle
18-4-B	Hydraulic pulling device(including mechanical pressure screw)
20-4-B	Universal 2-jaw puller with long hydraulic spindle
20-40-B	Universal 2-jaw puller with long hydraulic spindle



Spare part of

Art. No.	Product name
20-4-3-B	Universal 2-jaw puller with long hydraulic spindle and extended jaws(including mechanical pressure screw)
20-4-4-B	Universal 2-jaw puller with long hydraulic spindle and extended jaws(including mechanical pressure screw)
20-4-5-B	Universal 2-jaw puller with long hydraulic spindle and extended jaws(including mechanical pressure screw)
20-40-4-B	Universal 2-jaw puller with long hydraulic spindle and extended jaws(including mechanical pressure screw)
20-40-5-B	Universal 2-jaw puller with long hydraulic spindle and extended jaws(including mechanical pressure screw)
20-4-H	Universal 2-jaw puller with adjustable reach and long hydraulic spindle(including mechanical pressure screw)
20-40-H	Universal 2-jaw puller with adjustable reach and long hydraulic spindle(including mechanical pressure screw)
30-30-B	Universal 3-jaw puller with long hydraulic spindle(including mechanical pressure screw)



 Kleinbongartz & Kaiser oHG Werkzeugfabrik Hilden - Germany	Dokumentname: 8-1-B_Lange Hydraulikspindel		Toleranz: DIN ISO 2768-m
	Dokumentbeschreibung: BAUGRUPPENZEICHNUNG		Material: Vergütungsstahl/ heat treatable steel
Erstellt von: Breidenbach	Erstellungsdatum: 18/04/2017	Maßstab: 1:2.5	
Teilbeschreibung: Lange Hydraulikspindel/ Long hydraulic spindle		Wärmebehandlung / Härte:	
		Oberflächenbehandlung:	
Artikelnummer / ZNR.: 8-1-B	Dokumentversion: -	Schutzvermerk ISO 16016 beachten	