



Product name \*

## Long hydraulic spindle






For pulling particularly tight bearings, gears, discs, etc.

Art. No. 8-2-K

Series 8

EAN 4021176034831



	Technical attribute	Metric	Imperial
	Thread length of hydraulic spindle	250 mm	9 7/8 inch
	Thread	G 1 1/8"	G 1 1/8"
	Stroke	10 mm	3/8 inch
max.	Maximum load	20 t	22 US t
 max.	Maximum torque	30 Nm	22 ft lb
	Weight	9.795 kg	



## Technologies



### HYDRAULIC

Pullers with hydraulic function.

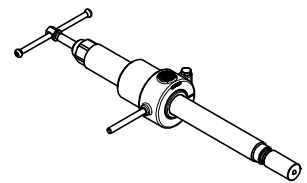
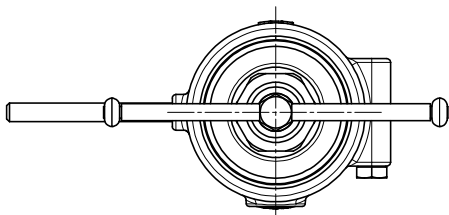
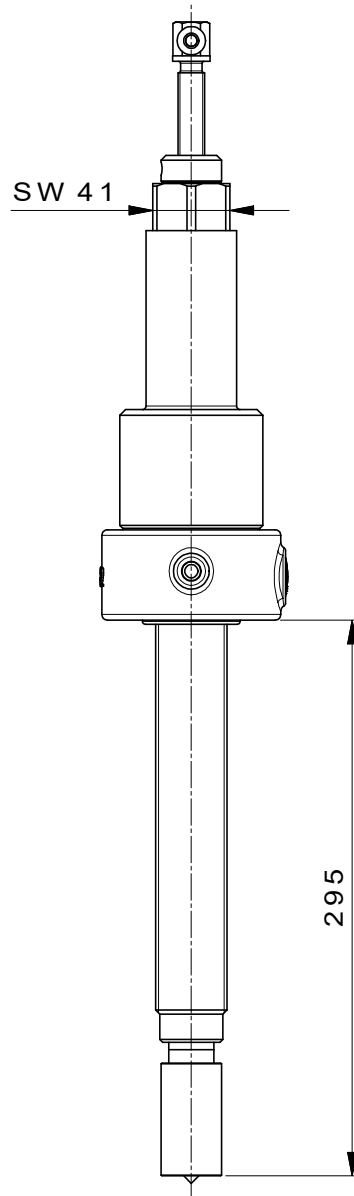
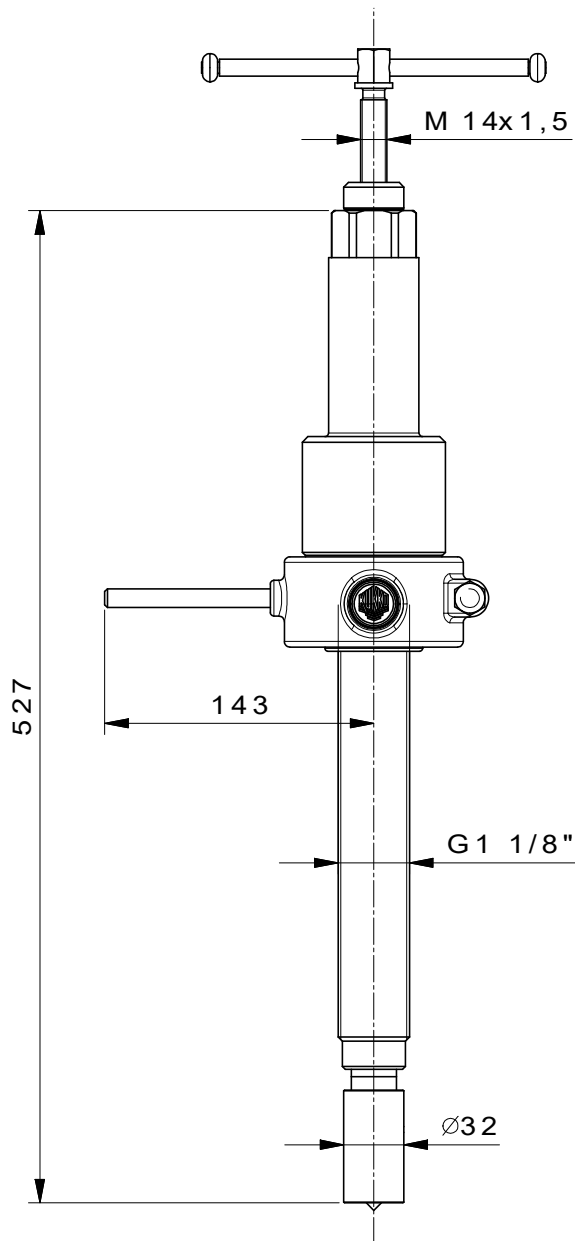



## Spare part

<b>Art. No.</b>	<b>Product name</b>
8-2	Hydraulics for spindles
8-K	250 mm spindle insert for 8-2
8-2-ERS	Wearing parts set

## Spare part of

<b>Art. No.</b>	<b>Product name</b>
11-1-B	3-jaw puller with long hydraulic spindle, high performance is guaranteed
11-2-B	3-jaw puller with long hydraulic spindle, high performance is guaranteed
11-3-B	3-jaw puller with long hydraulic spindle, high performance is guaranteed
11-1-BV	3-jaw puller with adjustable reach and long hydraulic spindle
11-2-BV	3-jaw puller with adjustable reach and long hydraulic spindle



 <b>Kleinbongartz &amp; Kaiser oHG</b> Werkzeugfabrik Hilden - Germany	Dokumentname: 8-2-K_Lange Hydraulikspindel	Toleranz: DIN ISO 2768-m
	Dokumentbeschreibung: Baugruppe	Material: Vergütungsstahl/ heat treatable steel
Erstellt von: Breidenbach	Erstellungsdatum: 18/01/2019	Maßstab: 1:2
Teilbeschreibung: Lange Hydraulikspindel/ Long hydraulic spindle		Wärmebehandlung / Härte: -
		Oberflächenbehandlung: -
Artikelnummer / ZNR: 8-2-K	Dokumentversion: -	Schutzvermerk ISO 16016 beachten